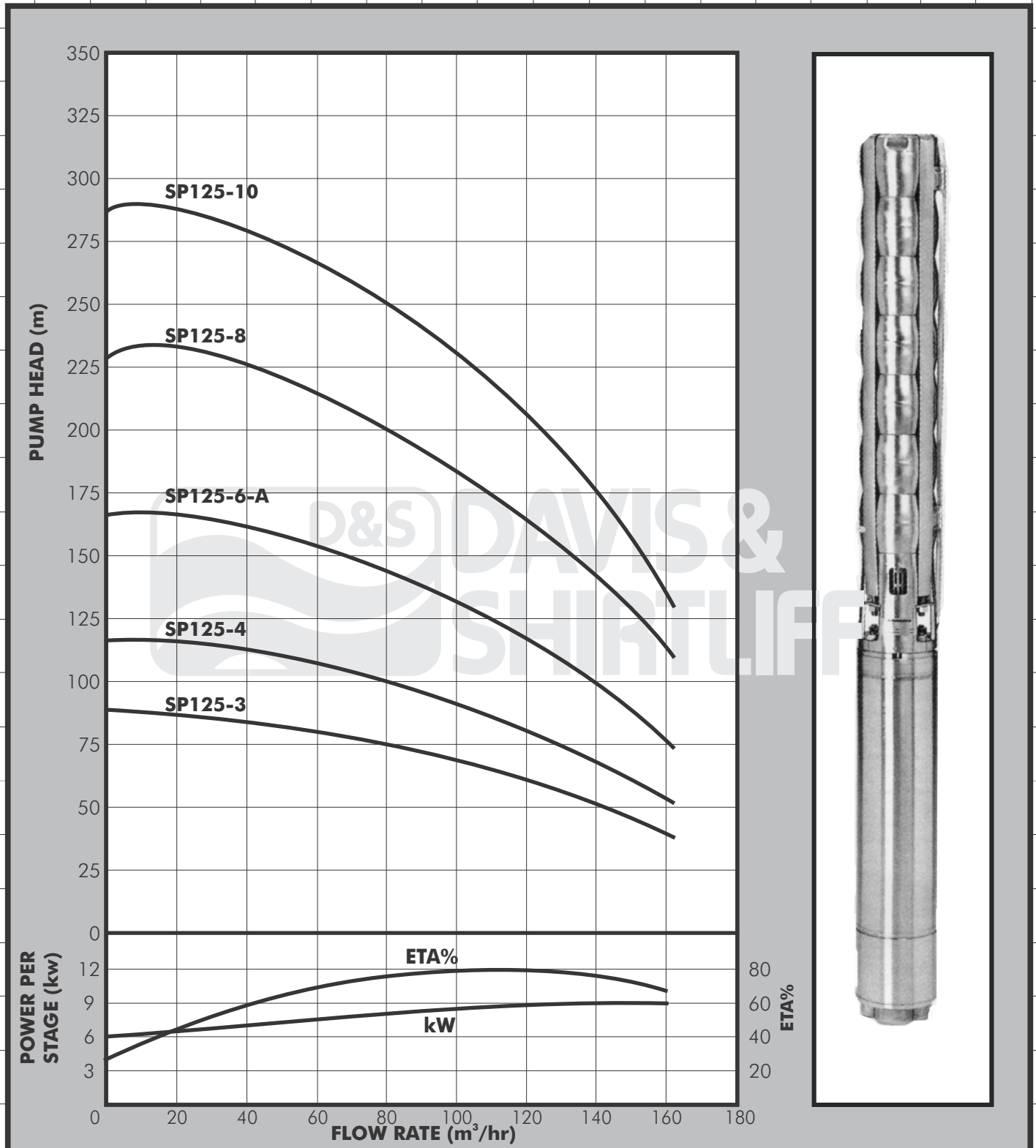




## DATA SHEET

### Multistage Centrifugal Borehole Pumps

## SP125



## PUMP

GRUNDFOS SP submersible pumps are designed specifically for borehole supply applications. They are of multistage centrifugal impeller design and all parts are made from stainless steel with water lubricated rubber bearings. A submersible motor is fitted beneath the pump and suction is effected through a strainer between the pump and motor.

Standard pumps are designed for the pumping of non-aggressive water. 'N and R' versions are available for applications requiring a higher degree of corrosion resistance.

All SP pumps carry a drinking water approval and meet European Minimum Efficiency Index guidelines

## MOTOR

The pump is coupled to a sealed, liquid cooled 2-pole asynchronous GRUNDFOS motor constructed of stainless steel with ceramic bearings. All motors are also fitted with a built-in sensor which monitors running temperatures. When fitted with the patented GRUNDFOS MP 204 control unit protection is provided against dry running, mechanical motor defects, excessive motor running temperature and irregular power supply. The fitting of MP204 unit is recommended for motor control and monitoring and also extended motor life.

Note that irrespective of the fitting of MP 204 control unit a remote starter is required. Due to the low starting torques of submersible motors it is recommended that Direct-on-Line starters are used on motor sizes up to 22kW. Motors above this size should use a soft start arrangement.

**Enclosure Class :** IP58

**Insulation Class:** F

**Voltage:** 3x415V

**Speed:** 2900rpm

## OPERATING CONDITION

**Pumped Liquid:** Thin, clean chemically non-aggressive liquids without solid particles or fibres.

**Max. Liquid Temperature:** +40°C.

**Max. Water Depth:** 600 m

**Min. Borehole Diameter:** 200 mm - MS6/MMS6000, 254mm - MMS8000  
254mm - MMS8000

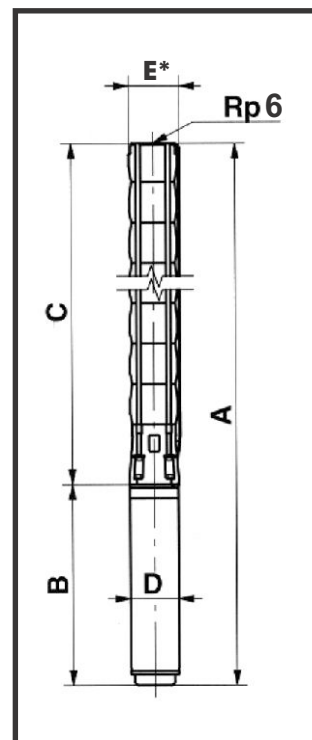
## ELECTRICAL DATA

Model	Motor		Motor	Full Load Current (A)	I start / I
	kW	HP			
SP125-3	30	40	MMS 6000	63	397
SP125-4	37	50	MMS 6000	85	527
SP125-6-A	55	73	MMS 8000	112	818
SP125-8	75	100	MMS 8000	152	1034
SP125-10	92	123	MMS 8000	186	1340

The selection is not comprehensive and other sizes are available for specific duty point

## DIMENSIONS AND WEIGHTS

Model	Dimensions (mm)					Weight (kgs)
	A	B	C	D	E*	
SP125-3	1907	944	963	139.5	211	123
SP125-4	2431	1312	1119	143	211	171
SP125-6-A	2781	1350	1431	192	213	257
SP125-8	3333	1590	1743	192	218	314
SP125-10	3885	1830	2055	192	218	372



E\*=Maximum diameter of the pump inclusive of cable guard and motor

© Davis & Shirliff 2017. Contents herein are not warranted. The right is reserved to amend specifications without notice.

GR308A-07/15

<b>KENYA</b> Nairobi - Head Office Tel: (254 20) 6968000 headoffice@dayliff.com Nairobi - Westlands Tel: (254 20) 4446116 westlands@dayliff.com Nairobi - Downtown Tel: (254 715) 439 392 downtown@dayliff.com Eastleigh Tel: (254 711) 079 845 eastleigh@dayliff.com Uthmaniyah Tel: (254 780) 575745 uthmaniyah@dayliff.com Nairobi - Karen Tel: (254 20) 3983513 karen@dayliff.com Ongata Rongai Tel: (254 20) 2400146 ongatarongai@dayliff.com Kiambu Tel: (254 701) 640 309 kiambu@dayliff.com	<b>Thika</b> Tel: (254 67) 2220084 thika@dayliff.com <b>Kiunga</b> Tel: (254 45) 3123094 kiunga@dayliff.com <b>Machakos</b> Tel: (254 44) 2021668 machakos@dayliff.com <b>Kitui</b> Tel: (254 701) 683 289 kitui@dayliff.com <b>Embu</b> Tel: (254 780) 455 512 embu@dayliff.com <b>Meru</b> Tel: (254 64) 3131033 meru@dayliff.com <b>Nanyuki</b> Tel: (254 62) 2030018 nanyuki@dayliff.com <b>Garissa</b> Tel: (254 46) 2102620 garissa@dayliff.com <b>Naivasha</b> Tel: (254 50) 2030510 naivasha@dayliff.com	<b>Lodwar</b> Tel: (254 724) 248602 lodwar@dayliff.com <b>Eldoret</b> Tel: (254 53) 2061306 eldoret@dayliff.com <b>Nakuru</b> Tel: (254 51) 2213248 nakuru@dayliff.com <b>Narok</b> Tel: (254 701) 683 289 narok@dayliff.com <b>Kakamega</b> Tel: (254 58) 2031889 kakamega@dayliff.com <b>Bungoma</b> Tel: (254 740) 048 514 bungoma@dayliff.com <b>Kisumu</b> Tel: (254 57) 2024763 kisumu@dayliff.com <b>Malindi</b> Tel: (254 701) 683 289 malindi@dayliff.com <b>Lamu</b> Tel: (254 20) 2443357 lamu@dayliff.com <b>Nyali</b> Tel: (254 20) 2028284 nyali@dayliff.com <b>Voi</b> Tel: (254 58) 2030949 voi@dayliff.com <b>Mtwapa</b> Tel: (254) 798 478 113 mtwapa@dayliff.com	<b>KENYA COAST</b> Mombasa - Main Office Tel: (254 20) 2040432 mombasa@dayliff.com Mombasa - Downtown Tel: (254 780) 567 379 mombasadowntown@dayliff.com <b>Malindi</b> Tel: (254 42) 2120425 malindi@dayliff.com <b>Diani</b> Tel: (254 40) 3202181 diani@dayliff.com <b>Lamu</b> Tel: (254 20) 2443356 lamu@dayliff.com <b>Nyali</b> Tel: (254 20) 2028284 nyali@dayliff.com <b>Voi</b> Tel: (254 58) 2030949 voi@dayliff.com <b>Mtwapa</b> Tel: (254) 798 478 113 mtwapa@dayliff.com	<b>UGANDA</b> Kampala - Main Office Tel: (256 414) 3463378 kampala@dayliff.com Kampala - Nakasero Tel: (256 780) 734633 nakasero@dayliff.com Kampala - Shauri Moyo Tel: (256 414) 660 770 shaurimoyo@dayliff.com <b>Gulu</b> Tel: (256 471) 433041 gulu@dayliff.com <b>Mbarara</b> Tel: (256 753) 840 080 mbarara@dayliff.com <b>Jinja</b> Tel: (256 392) 001556 jinja@dayliff.com <b>SOUTH SUDAN</b> Juba Tel: (211) 958 1397 070 juba@dayliff.com	<b>TANZANIA</b> Dar es Salaam - Main Office Tel: (255 22) 2125156 darsssalaam@dayliff.com Dar es Salaam - Kariakoo Tel: 2164867 kariakoo@dayliff.com Arusha Tel: (255 27) 25473178 arusha@dayliff.com Zanzibar Tel: (255 24) 2246601 zanzibar@dayliff.com <b>Mwanza</b> Tel: (255 28) 25419712 dskmwanza@dayliff.com <b>Dodoma</b> Tel: (255) 753 506 505 dodoma@dayliff.com	<b>ZAMBIA</b> Lusaka - Main Office Tel: (260 21) 2880101 lusaka@dayliff.com Lusaka - ChaChaCha Tel: (260 21) 842350 Ndola Tel: (260 212) 6109367 ndola@dayliff.com <b>Kitwe</b> Tel: (260 212) 22174767 kitwe@dayliff.com <b>Livingstone</b> Tel: (260 213) 320002/234 livingstone@dayliff.com <b>Solwezi</b> Tel: (260 218) 821822 solwezi@dayliff.com	<b>RWANDA</b> Kigali Tel: (250) 252 504039 kigali@dayliff.com.rw Rubavu Tel: (243) 814 911999 rubavu@dayliff.com <b>ETHIOPIA (Associate)</b> Addis Ababa Tel: (241) 11 81 59341/64 ethiopia@dayliff.com <b>DRC</b> Lubumbashi Tel: (243) 978 115412/ 852 758553 drc@dayliff.com
-----------------------------------------------------------------------------------------------------------------------------------------------------------------------------------------------------------------------------------------------------------------------------------------------------------------------------------------------------------------------------------------------------------------------------------------------------------------------------------------------------------------------------------------------------------------------------	------------------------------------------------------------------------------------------------------------------------------------------------------------------------------------------------------------------------------------------------------------------------------------------------------------------------------------------------------------------------------------------------------------------------------------------------------------------------------------------------------------------------------------------------------------------------------------------------	----------------------------------------------------------------------------------------------------------------------------------------------------------------------------------------------------------------------------------------------------------------------------------------------------------------------------------------------------------------------------------------------------------------------------------------------------------------------------------------------------------------------------------------------------------------------------------------------------------------------------------------------------------------------------------------------------------------------------------------------------------------------------------------------	-----------------------------------------------------------------------------------------------------------------------------------------------------------------------------------------------------------------------------------------------------------------------------------------------------------------------------------------------------------------------------------------------------------------------------------------------------------------------------------------------------------------------------------------------------------------	-----------------------------------------------------------------------------------------------------------------------------------------------------------------------------------------------------------------------------------------------------------------------------------------------------------------------------------------------------------------------------------------------------------------------------------------------------------------------------------------------------------------------	------------------------------------------------------------------------------------------------------------------------------------------------------------------------------------------------------------------------------------------------------------------------------------------------------------------------------------------------------------------------------------------------------------------------------------	------------------------------------------------------------------------------------------------------------------------------------------------------------------------------------------------------------------------------------------------------------------------------------------------------------------------------------------------------------------------------------------------------------	---------------------------------------------------------------------------------------------------------------------------------------------------------------------------------------------------------------------------------------------------------------------------------------------------------------------------



www.davisondshirliff.com



Davis & Shirliff



@dayliff