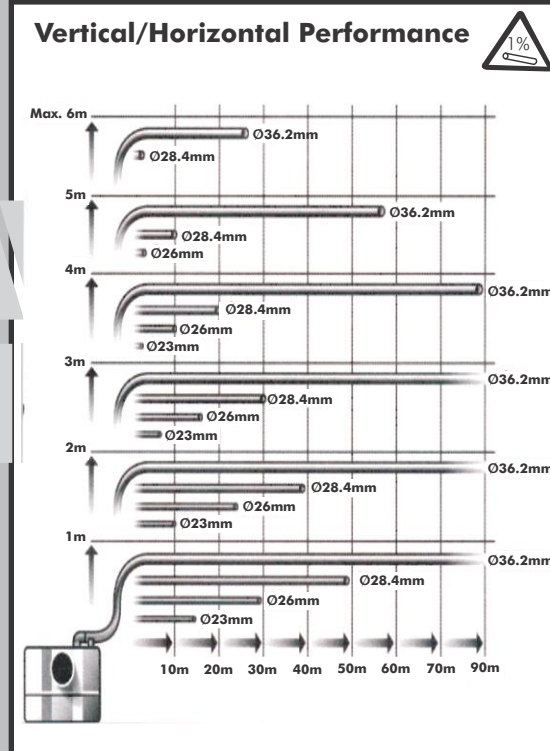
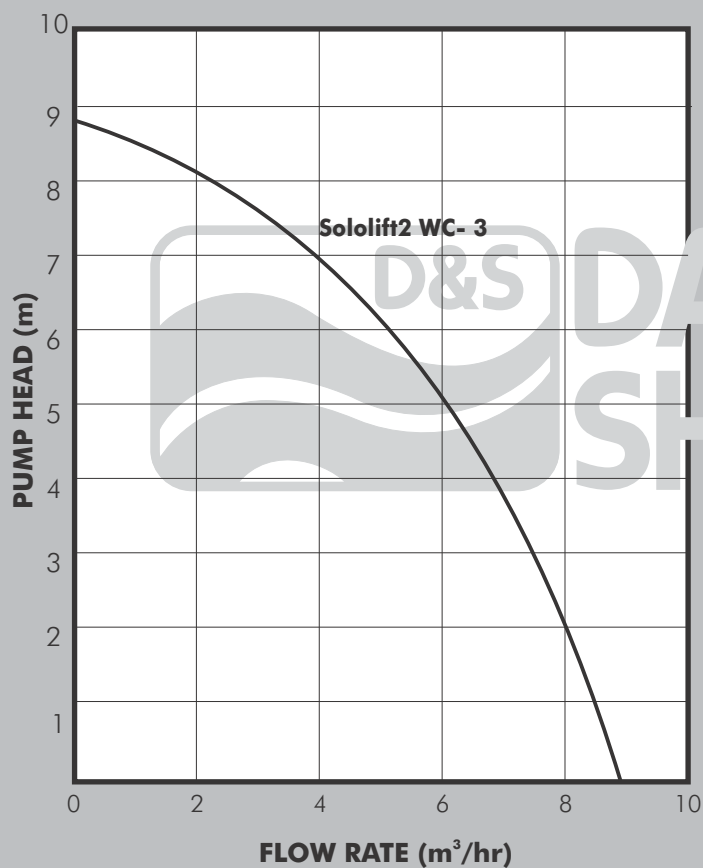
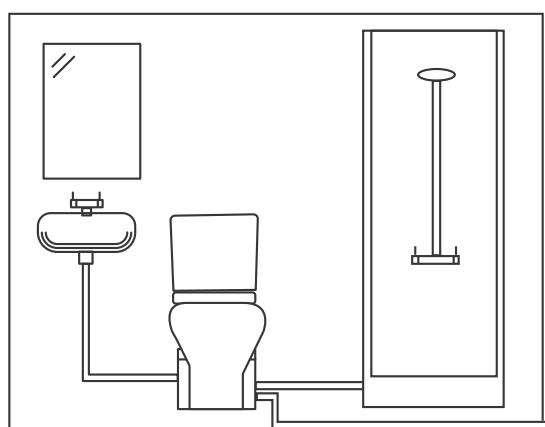


## DATA SHEET

Sewage  
Lifting Unit

## SOLOLIFT2



## UNIT DESCRIPTION

The GRUNDFOS Sololift2 is a unique product designed for the collection and discharge of waste from a WC, washbasin, shower and bidet where site conditions prevent direct connection to gravity sewage system. This can arise due to the installation being below the sewer level or remoteness making direct drainage impractical. The unit consists of a collector tank directly connected to the WC outlet which contains a highly effective steel grinder pump that macerates toilet waste so it can easily pass through small bore water pipes. Particular features include:

- Self cleaning design with sloping bottom keeps grinder and tank free from sedimentation.
- Built in charcoal filter eliminates odours.
- Lift out motor and pump for quick and clean repairs and service.
- High torque pump motor with special winding and shaft technology for improved maceration efficiency.

The unit is supplied with all necessary installation fittings and is provided with three inlets so is suitable for connection to all bathroom facilities as well as a 'P-trap' type toilet making installing discreet and simple

## PUMP

The integral cutter pump is controlled automatically by means of a pneumatically operated level switch. It is provided with in-built thermal protection and can be connected directly to the main power supply through a 10amps MCB or fuse.

**Power Consumption:** 620W

**Voltage:** 1 x 240V, 50Hz

**Operating Current:** 3A

**Insulation:** F

**Enclosure Class:** IP24

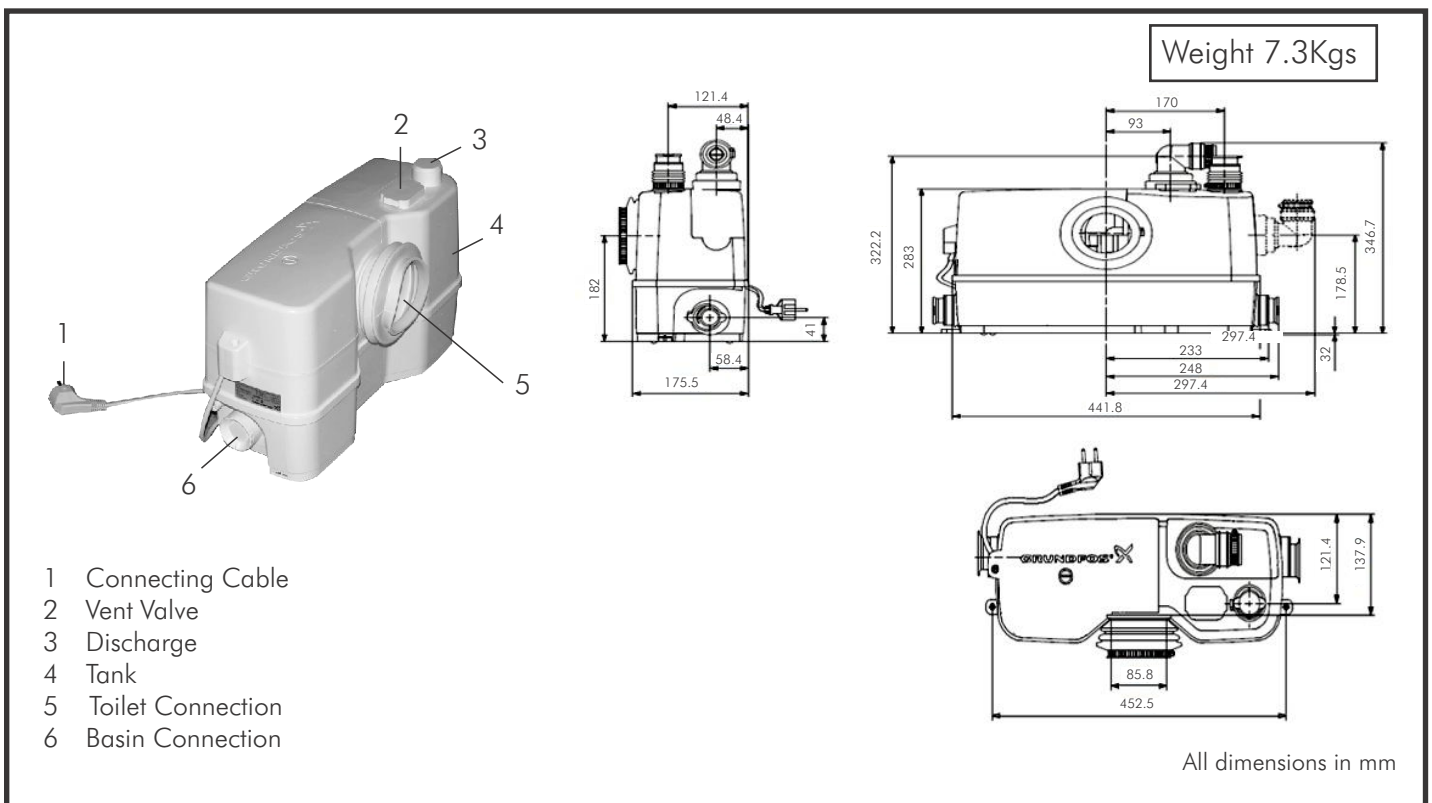
## OPERATING CONDITIONS

**Pumped Liquid:** Sewage water containing toilet paper and faeces, though not sanitary articles or wastewater containing fat.

**Max. Fluid Temperature Range:** +50°C

**Max. Fluid Volume:** 9Litres

**pH Range:** 4-10



© Davis & Shirliff 2018. Contents herein are not warranted. The right is reserved to amend specifications without notice.

GR34E-02/12

<p><b>KENYA</b> Nairobi - Head Office Tel: (254 20) 6968000 headoffice@dayliff.com</p> <p>Nairobi - Westlands Tel: (254 20) 44460116 westlands@dayliff.com</p> <p>Nairobi - Downtown Tel: (254) 715 439 392 downtown@dayliff.com</p> <p>Eastleigh Tel: (254) 711 079 845 eastleigh@dayliff.com</p> <p>Uthmanya Tel: (254) 780 575745 uthmanya@dayliff.com</p> <p>Nairobi - Karen Tel: (254) 20) 3883513 karen@dayliff.com</p> <p>Ngata Rongai Tel: (254) 20) 2400146 ngatarongai@dayliff.com</p> <p>Kiambu Tel: (254) 701 640 309 kiambu@dayliff.com</p>	<p><b>Thika</b> Tel: (254 67) 2220084 thika@dayliff.com</p> <p><b>Kikuyu</b> Tel: (254 45) 3123094 kikuyu@dayliff.com</p> <p><b>Machakos</b> Tel: (254 44) 2021668 machakos@dayliff.com</p> <p><b>Kitui</b> Tel: (254 64) 3131033 kitui@dayliff.com</p> <p><b>Embu</b> Tel: (254) 701 683 289 kitui@dayliff.com</p> <p><b>Meru</b> Tel: (254 64) 3131033 meru@dayliff.com</p> <p><b>Nanyuki</b> Tel: (254 62) 2030018 nanyuki@dayliff.com</p> <p><b>Garissa</b> Tel: (254 46) 2102620 garissa@dayliff.com</p> <p><b>Malvaasha</b> Tel: (254 90) 2030010 malvaasha@dayliff.com</p>	<p><b>Lodwar</b> Tel: (254 724) 248602 lodwar@dayliff.com</p> <p><b>Eldoret</b> Tel: (254 53) 2061306 eldoret@dayliff.com</p> <p><b>Nakuru</b> Tel: (254 51) 2213248 nakuru@dayliff.com</p> <p><b>Narok</b> Tel: (254) 701 683 289 narok@dayliff.com</p> <p><b>Kakamega</b> Tel: (254 58) 2031889 kakamega@dayliff.com</p> <p><b>Bungoma</b> Tel: (254) 740 048 514 bungoma@dayliff.com</p> <p><b>Kisumu</b> Tel: (254 57) 2024763 kisumu@dayliff.com</p> <p><b>Kisii</b> Tel: (254 58) 2030949 kisii@dayliff.com</p>	<p><b>KENYA COAST</b> Mombasa - Main Office Tel: (254 20) 2040432 mombasa@dayliff.com</p> <p>Mombasa - Downtown Tel: (254) 780 567 379 mombasadowntown@dayliff.com</p> <p><b>Malindi</b> Tel: (254 42) 2120425 malindi@dayliff.com</p> <p><b>Diani</b> Tel: (254 40) 3202181 diani@dayliff.com</p> <p><b>Lamu</b> Tel: (254 20) 265105256 lamu@dayliff.com</p> <p><b>Nyati</b> Tel: (254 20) 2443357 nyati@dayliff.com</p> <p><b>Voi</b> Tel: (254 20) 2028284 voi@dayliff.com</p> <p><b>Mtwapa</b> Tel: (254) 798 478 113 mtwapa@dayliff.com</p>	<p><b>UGANDA</b> Kampala - Main Office Tel: (256 414) 3463378 kampala@dayliff.com</p> <p>Kampala - Nakasero Tel: (256 392) 734633 nakasero@dayliff.com</p> <p>Kampala - Shauri Moyo Tel: (256 414) 660 770 shaurimoyo@dayliff.com</p> <p><b>Gulu</b> Tel: (256 471) 433041 gulu@dayliff.com</p> <p><b>Mbarara</b> Tel: (256 753) 840 080 mbarara@dayliff.com</p> <p><b>Jinja</b> Tel: (256 392) 001556 jinja@dayliff.com</p> <p><b>SOUTH SUDAN</b> Juba Tel: (211 958) 1397 070 juba@dayliff.com</p>	<p><b>TANZANIA</b> Dar es Salaam - Main Office Tel: (255 22) 211251556 darsalasam@dayliff.com</p> <p>Dar es Salaam - Kariakoo Tel: (255 22) 254731718 kariakoo@dayliff.com</p> <p><b>Arusha</b> Tel: (255 27) 254731718 arusha@dayliff.com</p> <p><b>Zanzibar</b> Tel: (255 24) 223466011 zanzibar@dayliff.com</p> <p><b>Mwanza</b> Tel: (255 28) 254197172 dksmwanza@dayliff.com</p> <p><b>Dodoma</b> Tel: (255) 753 506 505 dodoma@dayliff.com</p>	<p><b>ZAMBIA</b> Lusaka - Main Office Tel: (260 21) 28801011 lusaka@dayliff.com</p> <p>Lusaka - ChaChaCha Tel: (260 21) 842350 ndola@dayliff.com</p> <p><b>Ndola</b> Tel: (260 212) 6109367 ndola@dayliff.com</p> <p><b>Kitwe</b> Tel: (260 212) 22174767 kitwe@dayliff.com</p> <p><b>Livingstone</b> Tel: (260 213) 320002/234 livingstone@dayliff.com</p> <p><b>Solwezi</b> Tel: (260 218) 821822 solwezi@dayliff.com</p>	<p><b>RWANDA</b> Kigali Tel: (250) 252 504039 kigali@dayliff.com</p> <p><b>Rubavu</b> Tel: (243) 814 911999 rubavu@dayliff.com</p> <p><b>ETHIOPIA (Associate)</b> Addis Ababa Tel: (251 11) 815934164 ethiopia@dayliff.com</p> <p><b>DRC</b> Lubumbashi Tel: (243) 978 115412/ 852 758553 drc@dayliff.com</p>
--	---	---	---	--	--	---	---



www.davisondshirliff.com



Davis & Shirliff



@dayliff