

# GRUNDFOS®

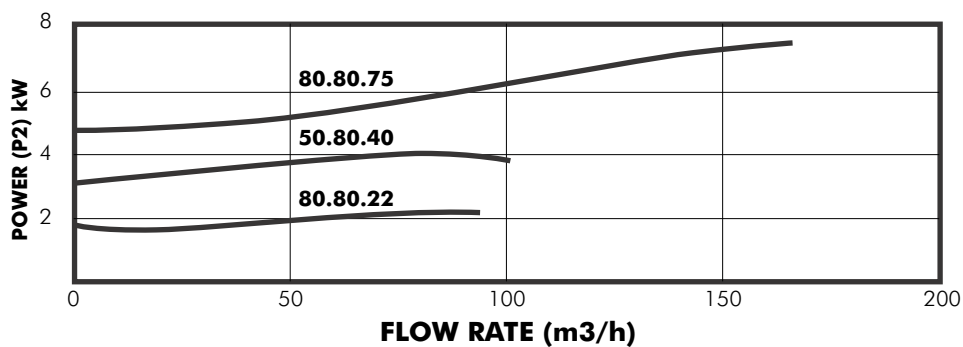
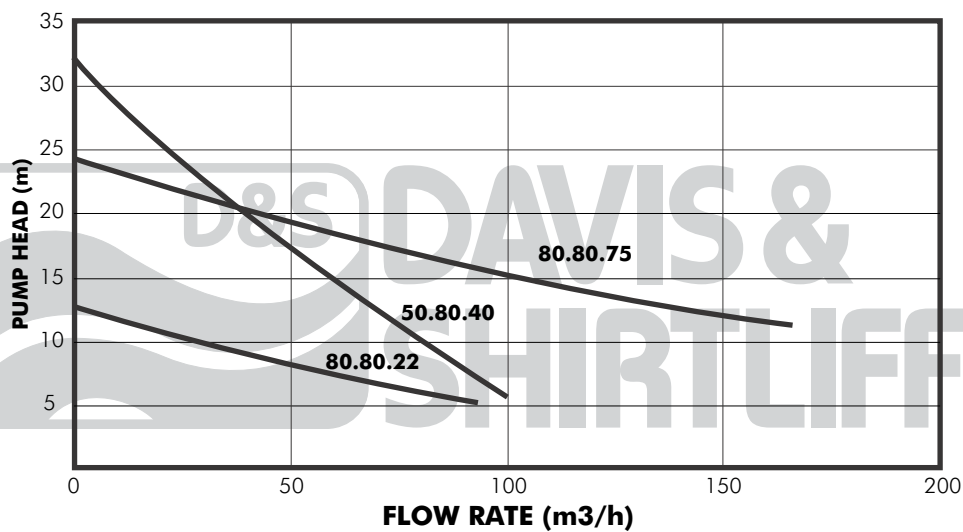
MADE IN DENMARK



## DATA SHEET

### Submersible Sewage Pumps

## SE1



## PUMP

The Grundfos SE1 pump range are high specification products for heavy duty pumping applications where reliability and ease of servicing are essential requirements. Particular uses are for pumping sewage and heavily polluted water in municipal, utility and industrial applications.

Featuring advanced technology design, the pumps utilise high efficiency semi-axial type channel impellers with excellent non-clogging performance and solid passing capability. Other notable features include a hermetically sealed cable entry to eliminate liquid penetration, cartridge type double mechanical seal for durability and ease of maintenance and a simple clamp coupling arrangement of the motor and pump units for easy disassembly.

The SE1 range is of unique modular design with standard motor units fitting several pump models. Also the hydraulic end is adaptable for submersible auto coupling, submerged free-standing or dry configurations by simply specifying the appropriate mounting components. Three basic models are stocked, though the range is extensive and different models are available to special order for specific requirements.

The pump end including impeller and pump housing are manufactured from cast iron, the stator housing from cast aluminium and the motor jacket, clamp and cable entry from stainless steel. 10m of Neoprene rubber drop cable is supplied as standards.

## MOTOR

Pumps are fitted with integral squirrel cage induction motors of special liquid-less cooling design enabling continuous operation in dry installations. Remote motor starting is required using a starter type as indicated below.

**Insulation Class:** F

**Voltage:** 3x415v

**Max Starts/Hr:** 20

## OPERATING CONDITIONS

**Pumped Liquid** - Heavily polluted liquids containing suspended particles up to the throughlet diameter of the impeller.

**Max Liquid Temp** - 40°C

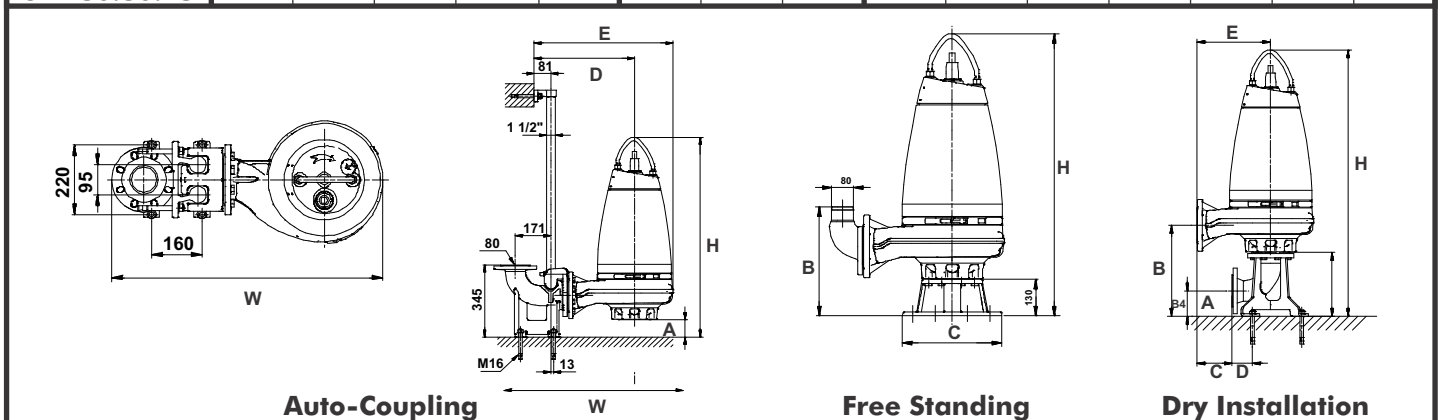
**Max Immersion Depth** - 20m

## PUMP DATA

| Model        | Power (kW) | Speed (rpm) | Max Current (Amps) | Start Current (Amps) | Starter Type | Impeller Throughlet | Weight (kg) |
|--------------|------------|-------------|--------------------|----------------------|--------------|---------------------|-------------|
| SE1 80.80.22 | 2.2        | 1445        | 5.9                | 32                   | DOL          | 80                  | 100         |
| SE1 50.80.40 | 4          | 2925        | 8.6                | 71                   | YD           | 50                  | 123         |
| SE1 80.80.75 | 7.5        | 1455        | 17.3               | 107                  | YD           | 80                  | 205         |

## DIMENSIONS

| Model        | Auto-Coupling (mm) |     |     |     |     | Free Standing (mm) |     |     | Dry Installation (mm) |     |     |     |     |     |     |
|--------------|--------------------|-----|-----|-----|-----|--------------------|-----|-----|-----------------------|-----|-----|-----|-----|-----|-----|
|              | H                  | W   | A   | D   | E   | H                  | B   | C   | H                     | A   | B   | B1  | C   | D   | E   |
| SE1 80.80.22 | 876                | 788 | 108 | 432 | 595 | 898                | 364 | 355 | 1109                  | 341 | 433 | 136 | 67  | 106 | 272 |
| SE1 50.80.40 | 938                | 760 | 132 | 387 | 567 | 937                | 341 | 325 | 1055                  | 248 | 317 | 108 | 87  | 62  | 227 |
| SE1 80.80.75 | 1006               | 883 | 82  | 489 | 690 | 1054               | 390 | 355 | 1265                  | 341 | 459 | 136 | 124 | 106 | 328 |



© Davis & Shirliff 2018. Contents herein are not warranted. The right is reserved to amend specifications without notice.

BG21A-07/06

**KENYA**  
Nairobi - Head Office  
Tel: (254 20) 6968000  
headoffice@dayliff.com  
Nairobi - Westlands  
Tel: (254 20) 44460116  
westlands@dayliff.com  
Nairobi - Downtown  
Tel: (254 715 439 392  
downtown@dayliff.com  
Eastleigh  
Tel: (254 711 079 645  
eastleigh@dayliff.com  
Uthawa  
Tel: (254 780 575745  
uthawa@dayliff.com  
Nairobi - Karen  
Tel: (254 20) 3883513  
karen@dayliff.com  
Ngata Rongai  
Tel: (254 701 2400146  
ngatarongai@dayliff.com  
Kiambu  
Tel: (254 701 640 309  
kiambu@dayliff.com

**Thika**  
Tel: (254 67) 2220084  
thika@dayliff.com  
**Kikuyu**  
Tel: (254 45) 3123094  
kikuyu@dayliff.com  
**Machakos**  
Tel: (254 44) 2021668  
machakos@dayliff.com  
**Kitui**  
Tel: (254 701 683 289  
kitui@dayliff.com  
**Embu**  
Tel: (254 780 455 512  
embu@dayliff.com  
**Meru**  
Tel: (254 780 575745  
meru@dayliff.com  
**Nanyuki**  
Tel: (254 62) 2030018  
nanyuki@dayliff.com  
**Garissa**  
Tel: (254 46) 2102620  
garissa@dayliff.com  
**Naivasha**  
Tel: (254 50) 2005010  
naivasha@dayliff.com

**Lodwar**  
Tel: (254 724) 248602  
lodwar@dayliff.com  
**Eldoret**  
Tel: (254 53) 2061306  
eldoret@dayliff.com  
**Nakuru**  
Tel: (254 51) 2213248  
nakuru@dayliff.com  
**Narok**  
Tel: (254 701 683 289  
narok@dayliff.com  
**Kakamega**  
Tel: (254 58) 2031889  
kakamega@dayliff.com  
**Bungoma**  
Tel: (254 740 048 514  
bungoma@dayliff.com  
**Kisumu**  
Tel: (254 57) 2024763  
kisumu@dayliff.com  
**Kisii**  
Tel: (254 58) 2030949  
kisii@dayliff.com

**KENYA COAST**  
Mombasa - Main Office  
Tel: (254 20) 2040432  
mombasa@dayliff.com  
Mombasa - Downtown  
Tel: (254 780 567 379  
mombasadowntown@dayliff.com  
Malindi  
Tel: (254 42) 2120425  
malindi@dayliff.com  
**Diani**  
Tel: (254 40) 3202181  
diani@dayliff.com  
**Lamu**  
Tel: (254 20) 265105256  
lamu@dayliff.com  
**Nyali**  
Tel: (254 20) 2443357  
nyali@dayliff.com  
**Voi**  
Tel: (254 20) 2028284  
voi@dayliff.com  
**Mtwapa**  
Tel: (254) 798 478 113  
mtwapa@dayliff.com

**UGANDA**  
Kampala - Main Office  
Tel: (256 414) 3463378  
kampala@dayliff.com  
Kampala - Nakasero  
Tel: (256 392) 734633  
nakasero@dayliff.com  
Kampala - Shauri Moyo  
Tel: (256 414) 660 770  
shauri@dayliff.com  
**Gulu**  
Tel: (256 471) 433041  
gulu@dayliff.com  
**Mbarara**  
Tel: (256 753) 840 080  
mbarara@dayliff.com  
**Jinja**  
Tel: (256 392) 001556  
jinja@dayliff.com  
**SOUTH SUDAN**  
Juba  
Tel: (211 958) 197 070  
juba@dayliff.com

**TANZANIA**  
Dar es Salaam - Main Office  
Tel: (255 22) 21125158  
darsalasaa@dayliff.com  
Dar es Salaam - Kariakoo  
Tel: 2184867  
kariakoo@dayliff.com  
Arusha  
Tel: (255 27) 25473178  
arusha@dayliff.com  
Zanzibar  
Tel: (255 24) 2246601  
zanzibar@dayliff.com  
**Mwanza**  
Tel: (255 28) 25419712  
dksmwanza@dayliff.com  
**Dodoma**  
Tel: (255) 753 506 505  
dodoma@dayliff.com

**ZAMBIA**  
Lusaka - Main Office  
Tel: (260 21) 2885101  
lusaka@dayliff.com  
Lusaka - ChaChaCha  
Tel: (260 21) 842350  
Ndeia  
Tel: (260 212) 6109367  
ndeia@dayliff.com  
Kitwe  
Tel: (260 212) 22174767  
kitwe@dayliff.com  
Livingstone  
Tel: (260 213) 320002/234  
livingstone@dayliff.com  
Solwezi  
Tel: (260 218) 821822  
solwezi@dayliff.com

**RWANDA**  
Kigali  
Tel: (250) 252 504039  
kigali@dayliff.com  
Rubavu  
Tel: (243) 814 911999  
rubavu@dayliff.com  
**ETHIOPIA (Associate)**  
Addis Ababa  
Tel: (251 11) 815934164  
ethiopia@dayliff.com  
**DRC**  
Lubumbashi  
Tel: (243) 978 115412/ 852 758553  
drc@dayliff.com