



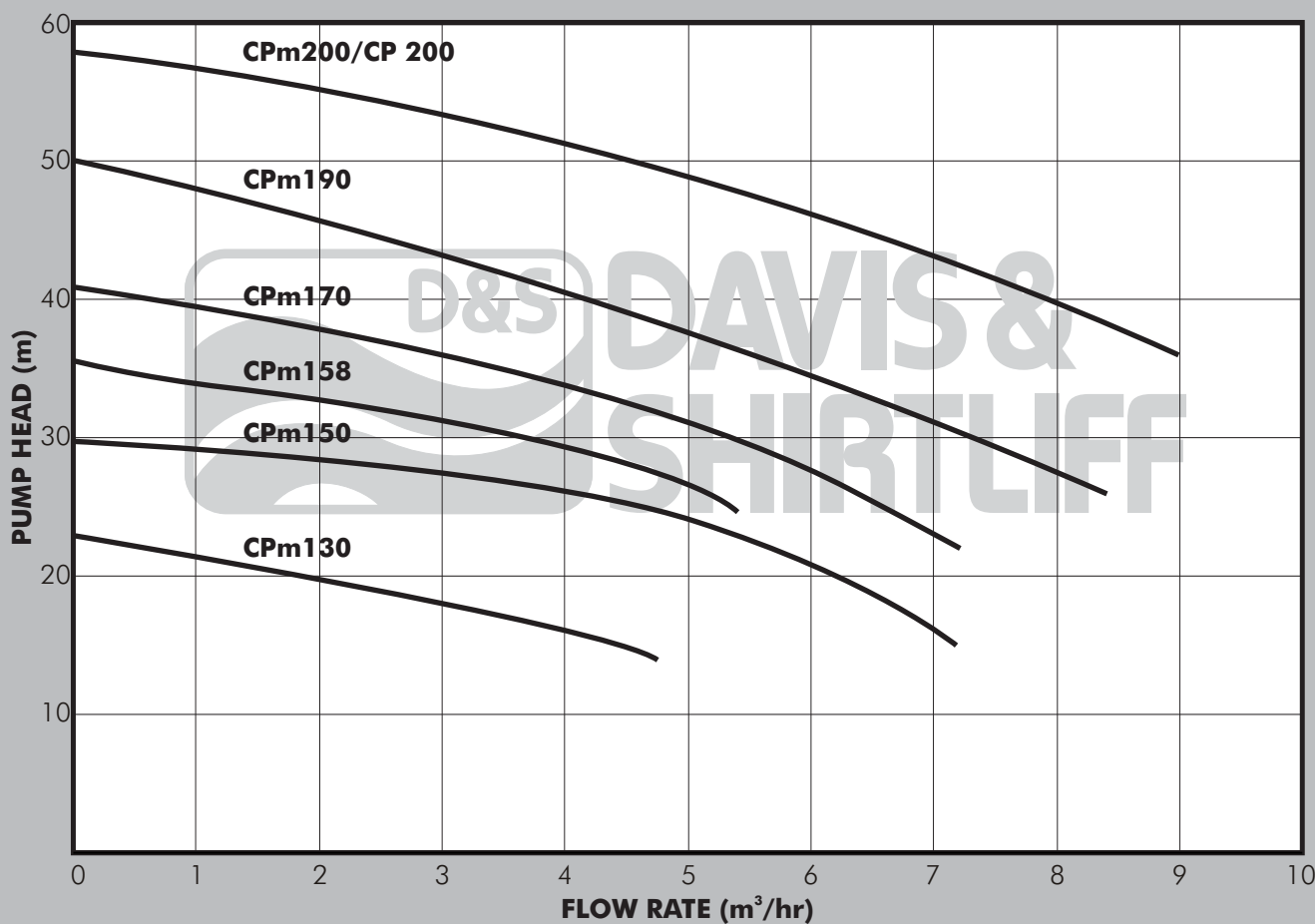
PEDROLLO

MADE IN ITALY

DATA SHEET

Horizontal
Centrifugal Pumps

CP



PUMP

The PEDROLLO CP range are non self-priming closed impeller pumps with integral motors. They are efficient, quiet and rated for continuous duty making them suitable for water boosting and transfer in a variety of domestic, industrial and agricultural applications. They are also particularly suited to automatic pressurised supply using either a surge tank or 'Presscontrol' unit.

Pump construction material is cast iron for the casing and brass alloy for impellers.

Pumps can be installed for manual or automatic control using either the unique 'Presscontrol' unit or a pressure tank and switch. Cpm 158 is available with the 'Hydrofresh' option combines a 24L horizontal diaphragm tank, pressure switch and gauge with pressure settings of 1.8Bar for pump start and 3.2 ar for pump stop.

MOTOR

Pumps are close coupled to a Pedrollo brushless TEFC induction motor designed for continuous operation. Single phase motors are provided with a thermal cutout in the windings to protect against electric and mechanical overload and can be connected directly to the mains power supply through a 10Amp fuse or MCB. Three phase motors require remote DOL starter protection according to local regulations.

Enclosure Class: IP44

Insulation Class: F

Speed: 2900 rpm

OPERATING CONDITIONS

Pumped liquid: Thin, clean, chemically non-aggressive liquids without solids or fibres.

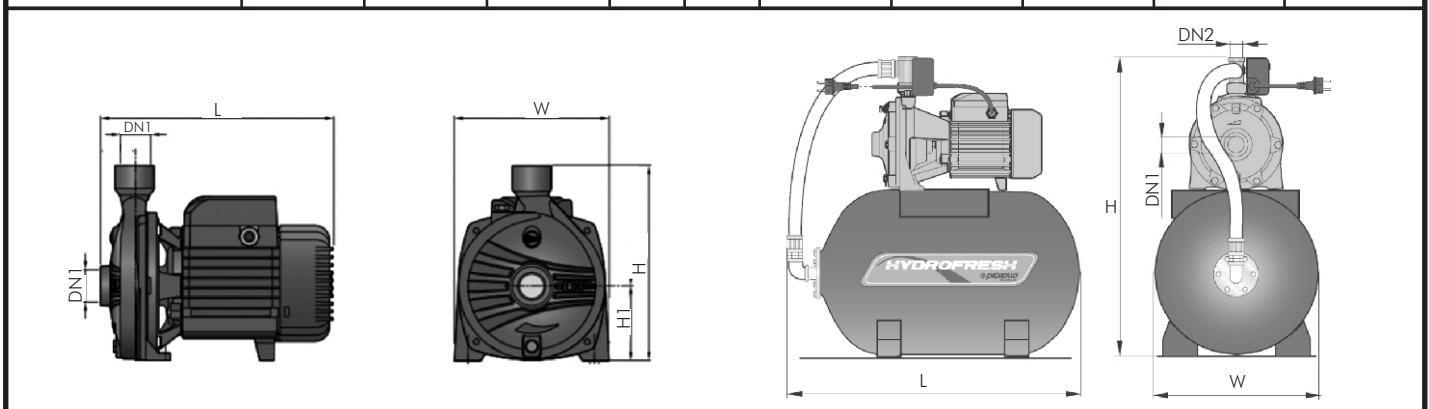
Max. Fluid Temperature: +90°C

Max. Ambient Temperature: +40°C

Max. Suction lift: 7 m (at sea level).

PUMP DATA

Model	Voltage (V)	Power (kW)	Current (A)	DN1 (")	DN2 (")	Dimensions (mm)				Weight (kg)
						L	H	H1	W	
CPm 130	1x240	0.37	2.9	1	1	257	205	82	165	8
CPm 150						286	240	92	190	12
CPm 158										12
CPm 158 Hydrofresh		535	600	-	225	20				
CPm 170		1.1	7.2	1 1/4	1	367	260	110	206	18
CPm 190		1.5	10			364	290	115	242	22
CPm 200		2.2	11.7			384				24
CP 200	3x415						5.2			



© Davis & Shirtliff 2023. Contents herein are not warranted. The right is reserved to amend specifications without notice. www.davisandshirtliff.com

PD41G-03/23

KENYA Nairobi - Head Office Tel: (254) 711 079 000 Nairobi - Westlands Tel: (254) 711 079 683/2/7/8/9 Nairobi - Downtown Tel: (254) 715 439 392 Eastleigh Tel: (254) 711 079 645 Utawala Tel: (254) 780 575 745 Nairobi - Karen Tel: (254) 726 442 342 Ongata Rongai Tel: (254 20) 240 0146 Kiambu Tel: (254) 701 646 309 Githurai Tel: (254) 758 727 332	Naivasha Tel: (254 50) 203 0510 Lodwar Tel: (254) 724 248 692 Eldoret Tel: (254) 715 590 000 Nakuru Tel: (254 20) 221 3248 Narok Tel: (254) 701 683 283 Kakamega Tel: (254 56) 203 1889 Kitale Tel: (254) 748 590 143 Bungoma Tel: (254) 740 048 514 Kisumu Tel: (254) 724 352 504 Kisii Tel: (254 58) 203 0949	Kericho Tel: (254) 780 703 197 Muranga Tel: (254) 780 377 682 Thika Tel: (254) 719 867 504 Kiunga Tel: (254) 705 155 522 Machakos Tel: (254) 712 650 283 Kitui Tel: (254) 701 683 289 Embu Tel: (254) 780 455 512 Meru Tel: (254 64) 313 1033 Nyeri Tel: (254) 799 496 253 Nanyuki Tel: (254 62) 203 0018	Garissa Tel: (254) 715 494 838 Marsabit Tel: (254) 748 590 140 Wajir Tel: (254) 780 523 728 Isiolo Tel: (254) 717 125 182 KENYA - COAST Mombasa - Main Office Tel: (254 41) 249 0888 Mombasa - Downtown Tel: (254) 780 567 379 Mallindi Tel: (254 42) 212 0425 Diani Tel: (254 40) 320 2181 Lamu Tel: (254 20) 265 1052	Nyati Tel: (254 20) 244 3357 Voi Tel: (254 20) 202 8284 Mtwapa Tel: (254) 798 478 113 Ruvuvu Tel: (254) 717 125 182 RWANDA Kigali Tel: (250 252) 504 039 Ruhuvu Tel: (243 814) 326 631 Gakiriro Tel: (254 781) 182 374 SOUTH SUDAN Juba Tel: (211) 927 000 020	ZAMBIA Lusaka Tel: (260 211) 845 010/1 Lusaka - ChaChaCha Tel: (260 211) 842 350 Ndola Tel: (260 212) 610 936 Kitwe Tel: (260 212) 221 747 Livingstone Tel: (260 213) 320 002 Solwezi Tel: (260 218) 821 822 Chipata Tel: (260 216) 222 636 DRC Lubumbashi Tel: (243) 978 115 412	UGANDA Kampala - Main Office Tel: (256) 783 065 273 Kampala - Kigumba House Tel: (256 414) 346 337 Kampala - Nakasero Tel: (256 392) 734 633 Kampala - Shauri Yako Tel: (256 414) 690 770 Gulu Tel: (256 471) 433 041 Mbarara Tel: (256 392) 001 596 ZIMBABWE Harare Tel: (263) 24 257 6246	TANZANIA Dar es Salaam - Main Office Tel: (255 22) 211 2515 Dar es Salaam - Kariakoo Tel: (255 22) 218 4667 Arusha Tel: (255 27) 254 7317 Zanzibar Tel: (255) 774 202 069 Mwanza Tel: (255) 783 451 540 Dodoma Tel: (255) 753 506 530 ETHIOPIA (Associate) Addis Ababa Tel: (251 11) 668 7925/29
---	--	--	---	---	--	---	--



www.davisandshirtliff.com



Davis & Shirtliff



@dayliff