



DPX

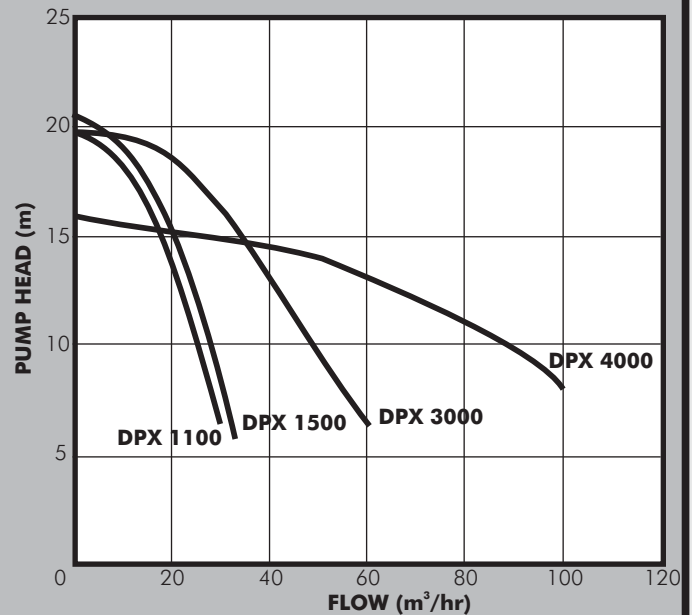
Swimming Pool Pumps



DPX 1100/1500/3000



DPX 4000



PUMP

The DAYLIFF DPX range of swimming pool pumps are quiet running and reliable products suitable for light and medium duty pool applications. All models feature a large strainer basket with easy-open transparent cover and connecting unions and all hydraulic components are made from high strength glass reinforced corrosion resistant polypropylene for long life.

MOTOR

Asynchronous 2-pole TEFC motor designed for continuous duty. Single phase motors are provided with built-in thermal overload protection and can be connected directly to the mains electrical supply through a 10A MCB or switch fuse. Three phase motors need to be connected through a DOL starter.

Insulation Class: F

Enclosure Class: IP55

Speed: 2800rpm

OPERATING CONDITIONS

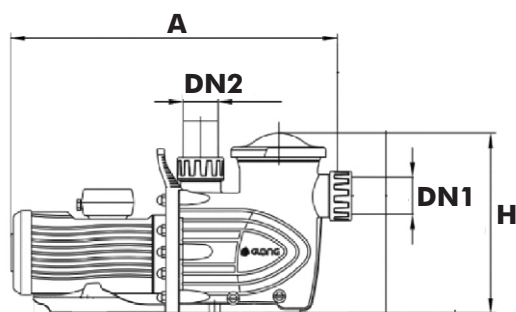
Pumped Liquid: Thin, clean non-chemically aggressive liquid without solid particles or fibers

Max. Fluid Temperature: 60°C

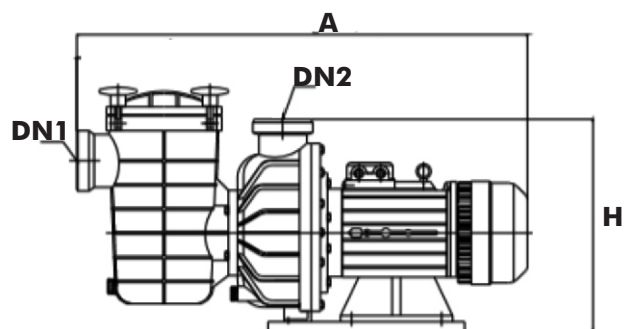
Max Ambient Temperature: -10°C - +40°C

PUMP DATA

Model	Voltage (V)	Power (kW)	Current (A)		Dimensions (mm)			Weight (kg)
			1ph	3ph	DN1/DN2	A	H	
DPX1100	1x240	1.1	6.5		75	656	358	22
DPX1500		1.5	8.5					24
DPX3000	3x415	3		6.4		708		31
DPX4000		4		8.3	110	841	418	36



DPX 1100/1500/3000



DPX4000