



DATA SHEET

Pool Pumps

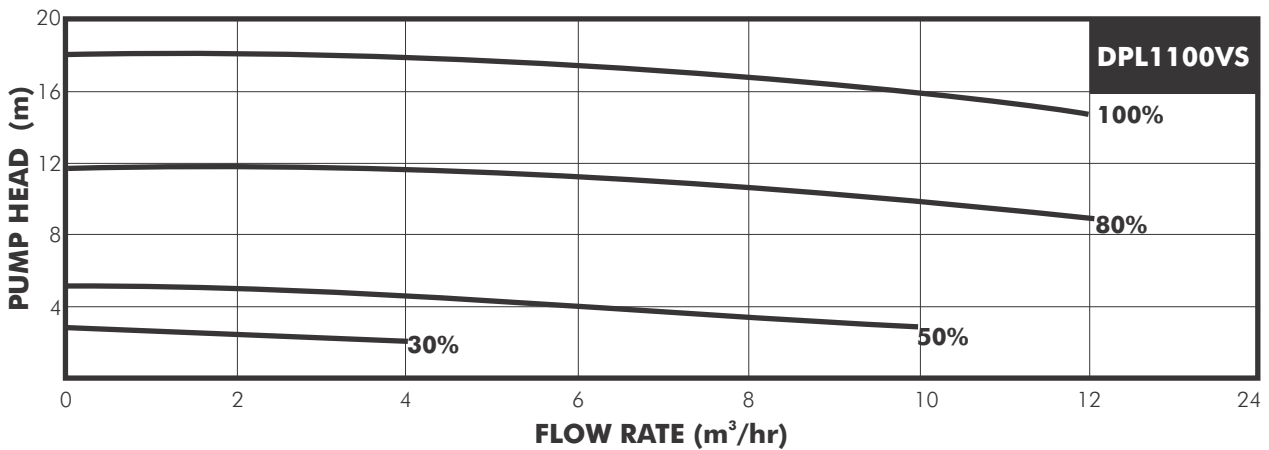
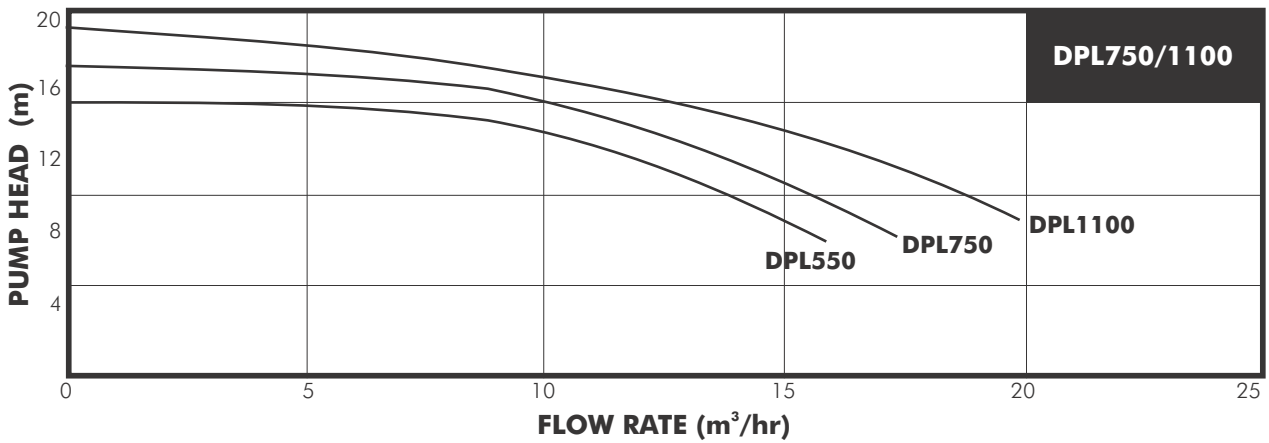
DPL



DPL750/1100



DPL1100VS



PUMP

The DAYLIFF DPL range of swimming pool pumps are quiet running and reliable products suitable for all domestic pool applications. All models feature a large strainer basket with easy-open transparent cover and connecting unions and all hydraulic components are made from high strength glass reinforced corrosion resistant polypropylene for long life. Fixed and variable speed model options are available, variable speed providing three pre-set speed options for reduced energy consumption in periods of low pool usage.

MOTOR

DPL 750/1100 Fixed Speed - Asynchronous two pole TEFC motor designed for continuous duty and provided with built-in thermal overload protection.

DPL 1100 VS Variable Speed - Asynchronous motor fitted with an inbuilt frequency converter to provide three pre-set operating speeds at 100%, 80% and 50% of maximum as well a fractional speed adjustment facility down to 30%. Intelligent protection from overvoltage, under voltage, overload and short circuit is also provided for extended motor life. The motor is also suitable for 50&60Hz frequency supply.

Motor control is through an easy to operate control module on the pump which provides various control options and digital speed indication.

All motors can be connected directly to the mains electrical supply through a 10A MCB or switch fuse.

Insulation Class: F

Enclosure Class: IP55

Voltage: 1x240V

OPERATING CONDITIONS

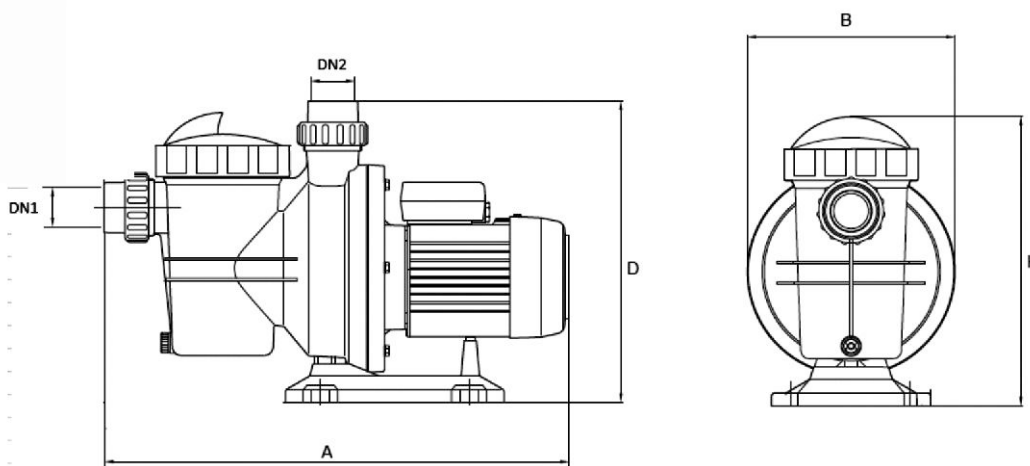
Pumped Liquid: Thin, clean non-chemically aggressive liquid without solid particles or fibers

Max. Fluid Temperature: 60°C

Max Ambient Temperature: -10°C - +40°C

PUMP DATA

Model	Speed (rpm)	Power (kW)	Current (A)	Dimensions (mm)					Weight (kg)
				DN1/DN2	A	B	D	H	
DPL 550	2850	0.55	4.2	50	550	238	345	330	13
DPL 750		0.75	5.3						14
DPL 1100		1.1	7.4						15
DPL 1100VS	100%/3500	1.6	9	50	570	238	345	330	15
	80%/2850	0.9	5.5						
	50%/1800	0.3	2.2						



© Davis & Shirliff 2018. Contents herein are not warranted. The right is reserved to amend specifications without notice.

DP359A-09/16

KENYA
Nairobi - Head Office
Tel: (254 20) 6968000
headoffice@dayliff.com
Nairobi - Westlands
Tel: (254 20) 44460116
westlands@dayliff.com
Nairobi - Downtown
Tel: (254) 715 439 392
downtown@dayliff.com
Eastleigh
Tel: (254) 711 079 845
eastleigh@dayliff.com
Uthawa
Tel: (254) 780 575745
uthawa@dayliff.com
Nairobi - Karen
Tel: (254 20) 3883513
karen@dayliff.com
Ngata Rongai
Tel: (254 20) 2400146
ngatarongai@dayliff.com
Kiambu
Tel: (254) 701 640 309
kiambu@dayliff.com

Thika
Tel: (254 67) 2220084
thika@dayliff.com
Kiserenge
Tel: (254 45) 3123094
kiserenge@dayliff.com
Machakos
Tel: (254 44) 2021668
machakos@dayliff.com
Kitui
Tel: (254) 701 683 289
kitui@dayliff.com
Embu
Tel: (254) 780 455 512
embu@dayliff.com
Meru
Tel: (254 64) 3131033
meru@dayliff.com
Nanyuki
Tel: (254 62) 2030018
nanyuki@dayliff.com
Garissa
Tel: (254 46) 2102620
garissa@dayliff.com
Naivasha
Tel: (254 50) 2030010
naivasha@dayliff.com

Lodwar
Tel: (254 724) 248602
lodwar@dayliff.com
Eldoret
Tel: (254 53) 2061306
eldoret@dayliff.com
Nakuru
Tel: (254 51) 2213248
nakuru@dayliff.com
Narok
Tel: (254) 701 683 289
narok@dayliff.com
Kakamega
Tel: (254 58) 2031889
kakamega@dayliff.com
Bungoma
Tel: (254) 740 048 514
bungoma@dayliff.com
Kisumu
Tel: (254 57) 2024763
kisumu@dayliff.com
Kisii
Tel: (254 58) 2030949
kisii@dayliff.com

KENYA COAST
Mombasa - Main Office
Tel: (254 20) 2040432
mombasa@dayliff.com
Mombasa - Downtown
Tel: (254) 780 567 379
mombasadowntown@dayliff.com
Malindi
Tel: (254 42) 2120425
malindi@dayliff.com
Diani
Tel: (254 40) 3202181
diani@dayliff.com
Lamu
Tel: (254 20) 265105256
lamu@dayliff.com
Nyali
Tel: (254 20) 2443357
nyali@dayliff.com
Voi
Tel: (254 20) 2028284
voi@dayliff.com
Mtwapa
Tel: (254) 788 478 113
mtwapa@dayliff.com

UGANDA
Kampala - Main Office
Tel: (256 414) 3463378
kampala@dayliff.com
Kampala - Nakasero
Tel: (256 392) 734633
nakasero@dayliff.com
Kampala - Shauri Moyo
Tel: (256 414) 860 770
shaurimoyo@dayliff.com
Gulu
Tel: (256 471) 433041
gulu@dayliff.com
Mbarara
Tel: (256 753) 840 080
mbarara@dayliff.com
Jinja
Tel: (256 392) 001556
jinja@dayliff.com
SOUTH SUDAN
Juba
Tel: (211 958) 197 070
juba@dayliff.com

TANZANIA
Dar es Salaam - Main Office
Tel: (255 22) 211251556
darassalaam@dayliff.com
Dar es Salaam - Kariakoo
Tel: 2164867
kariakoo@dayliff.com
Arusha
Tel: (255 27) 254731718
arusha@dayliff.com
Zanzibar
Tel: (255 24) 223466001
zanzibar@dayliff.com
Mwanza
Tel: (255 28) 254197172
mwanza@dayliff.com
Dodoma
Tel: (255) 753 506 505
dodoma@dayliff.com

ZAMBIA
Lusaka - Main Office
Tel: (260 211) 2881011
lusaka@dayliff.com
Lusaka - ChaCha
Tel: (260 211) 842350
Ndola
Tel: (260 212) 6109367
ndola@dayliff.com
Kitwe
Tel: (260 212) 22174767
kitwe@dayliff.com
Livingstone
Tel: (260 213) 320002234
livingstone@dayliff.com
Solwezi
Tel: (260 218) 821822
solwezi@dayliff.com

RWANDA
Kigali
Tel: (250) 252 504039
kigali@dayliff.com
Rubavu
Tel: (253) 814 911999
rubavu@dayliff.com
ETHIOPIA (Associate)
Addis Ababa
Tel: (251 11) 815934164
ethiopia@dayliff.com
DRC
Lubumbashi
Tel: (243) 978 1154127 852 758553
drc@dayliff.com