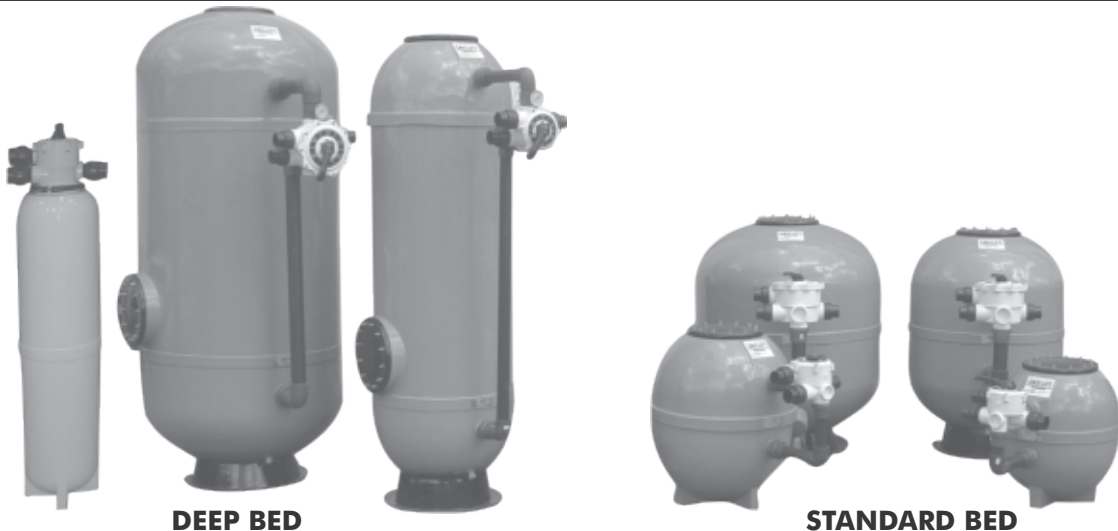


# DAYLIFF

## DATA SHEET

Commercial  
Filters

CX



The DAYLIFF 'CX' filter range of industrial specification filters have been specially developed for institutional and commercial applications where higher levels of operating performance and reliability are demanded. Their design combines leading filter technology with many years of GRP production experience and the result is a range of quality products suitable for both swimming pools and general water treatment uses. Features include:-

- Wide range of four diameters with Deep Bed options in 600 and 900 sizes for specialised water treatment applications.
- Available in standard and high pressure.
- All plastic non-corroding construction throughout including an exceptionally strong GRP filter body making 'CX' filters especially suitable for corrosive and aggressive waters.
- Heavy duty bolted GRP access cover secured by twelve stainless steel studs with 200mm aperture providing ease of access for media charging and removal. Deep Bed models also feature a low-level side mounted cover to facilitate media removal and general internal maintenance.
- Wide 100mm bottom outlet for filter drainage and media removal (CX 800 and 900 models).
- Option of simple to use multiport valves or manifold mounted 'Novasfer' full way ball valves for simplified flow control.
- Automatic air-bleed system.
- High efficiency internal flow arrangement to ensure even filtration and effective backwash flows.

For swimming pools applications DAYLIFF 'CX' filters can be used either individually or, for large water volumes, by combining a number of units in parallel. For water treatment applications DAYLIFF 'CX' filters are suitable for various medias including silica sand for sediment removal with the Deep Bed models being particularly suitable for activated carbon for taste, odour and chlorine removal, activated alumina for fluoride removal and anion resin for softening.

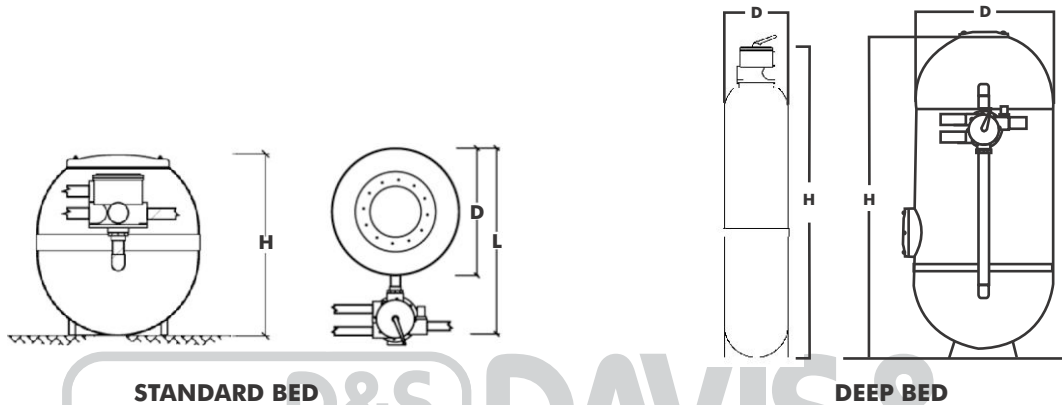
DAYLIFF 'CX' filter are quality high performance products specially designed to meet the demands of the most arduous operating conditions. The combination of highly effective filtration performance with exceptional levels of reliability and durability gives the peace of mind so important for all industrial and commercial filtering applications.

## OPERATING PARAMETERS

Model	Water Treatment Applications			Swimming Pool Applications				
	Rated Flow (m <sup>3</sup> /hr)**			Rated Flow (m <sup>3</sup> /hr) *		Pool Volume (m <sup>3</sup> for given turnover period)		
	Maximum	Standard	Optimum	Maximum	Operating	4hr	6hr	8hr
<b>CX500</b>	7	4	1.0	10	8	32	48	64
<b>CX600</b>	10	6	1.5	14	11	44	66	88
<b>CX800</b>	15	9	2.5	22	18	72	108	144
<b>CX900</b>	22	13	3.5	32	26	104	156	208
<b>CXD300</b>	2.5	1.5	0.5	-	-	-	-	-
<b>CXD600</b>	10	6	1.5	-	-	-	-	-
<b>CXD900</b>	22	13	3.5	-	-	-	-	-

## DIMENSIONS & WEIGHTS

Model	Filter Area(m <sup>2</sup> )	Dimensions (mm)			Outlet Sizes		Weights (Kgs)***		Pressure (Bar)	
		H	D	L	MPV	STD	Nett	Gross	Test	Operating
<b>CX500</b>	0.20	610	520	840	1.5"	1.25"	22	130	4.5	3.0
<b>CX600</b>	0.28	760	620	930	1.5"	1.5"	28	220	4.5	3.0
<b>CX800</b>	0.28	1090	770	1170	2"	2"	43	400	4.5	3.0
<b>CX900</b>	0.44	1170	925	1325	2"	2"	58	680	4.5	3.0
<b>CXD300</b>	0.07	1450	310	310	1.5"	1"	20	120	3.0	2.0
<b>CXD600</b>	0.20	2000	620	930	1.5"	1.5"	65	850	4.0	2.5
<b>CXD900</b>	0.64	2150	925	1500	2"	2"	100	1800	4.0	2.5



## Notes

- \* For swimming pool applications Maximum Rated flow is based upon a filter velocity of 50m/hr and Operating Rated flow of 40m<sup>3</sup>/hr. Suggested pool volumes are based upon the recommended Operating flow. For larger pool volumes use multiples of the given performance data to specify the number of filters required.
- \*\* For water treatment applications Maximum Rated Flow is based upon a filter velocity of 35m/hr and Standard Rated Flow of 20 m<sup>3</sup>/hr, though it is important that the appropriate flow rate is selected for each particular treatment process.
- \*\* Optimum flows are specified at 5m/hr and are ideal where maximum filtration is required e.g. for reverse osmosis applications.
- \*\*\* Nett Weight is the empty filter shell only. Gross weight includes sand media and water. Weights may be different for other media.

© Davis & Shirliff 2017. Contents herein are not warranted. The right is reserved to amend specifications without notice.

DP88F-05/17

**KENYA**  
Nairobi - Head Office  
Tel: (254 20) 6968000  
headoffice@dayliff.com  
Nairobi - Westlands  
Tel: (254 20) 4460116  
westlands@dayliff.com  
Nairobi - Downtown  
Tel: (254 715 439 392  
downtown@dayliff.com  
Eastleigh  
Tel: (254 711 079 845  
eastleigh@dayliff.com  
Uthmaniyah  
Tel: (254 780 575745  
uthmaniyah@dayliff.com  
Nairobi - Karen  
Tel: (254 20) 3883513  
karen@dayliff.com  
Ngara  
Tel: (254 20) 2400146  
ngaratangai@dayliff.com  
Kiambu  
Tel: (254 701 648 309  
kiambu@dayliff.com

**Thika**  
Tel: (254 67) 2220084  
thika@dayliff.com  
**Kisumu**  
Tel: (254 45) 3123094  
kisenya@dayliff.com  
**Machakos**  
Tel: (254 44) 2021668  
machakos@dayliff.com  
**Kitui**  
Tel: (254 701 683 289  
kitui@dayliff.com  
**Embu**  
Tel: (254 780 455 512  
embu@dayliff.com  
**Meru**  
Tel: (254 64) 3131033  
meru@dayliff.com  
**Nanyuki**  
Tel: (254 62) 2030018  
nanyuki@dayliff.com  
**Garissa**  
Tel: (254 46) 2102620  
garissa@dayliff.com  
**Naivasha**  
Tel: (254 30) 2030010  
naivasha@dayliff.com

**Lodwar**  
Tel: (254 724) 248602  
lodwar@dayliff.com  
**Eldoret**  
Tel: (254 53) 2061306  
eldoret@dayliff.com  
**Nakuru**  
Tel: (254 51) 2123248  
nakuru@dayliff.com  
**Narok**  
Tel: (254 701 683 289  
narok@dayliff.com  
**Kakamega**  
Tel: (254 58) 2031889  
kakamega@dayliff.com  
**Bungoma**  
Tel: (254 740 048 514  
bungoma@dayliff.com  
**Kisumu**  
Tel: (254 57) 2024763  
kisumu@dayliff.com  
**Kisii**  
Tel: (254 58) 2030949  
kisii@dayliff.com

**KENYA COAST**  
Mombasa - Main Office  
Tel: (254 20) 2040432  
mombasa@dayliff.com  
Mombasa - Downtown  
Tel: (254 780 567 379  
mombasadowntown@dayliff.com  
Malindi  
Tel: (254 42) 2120425  
malindi@dayliff.com  
**Diani**  
Tel: (254 40) 3202181  
diani@dayliff.com  
**Lamu**  
Tel: (254 20) 265105256  
lamu@dayliff.com  
**Nyali**  
Tel: (254 20) 2443357  
nyali@dayliff.com  
**Voi**  
Tel: (254 20) 2028284  
voi@dayliff.com  
**Mtwapa**  
Tel: (254) 798 478 113  
mtwapa@dayliff.com

**UGANDA**  
Kampala - Main Office  
Tel: (256 414) 3463378  
kampala@dayliff.com  
Kampala - Nakasero  
Tel: (256 392) 734633  
nakasero@dayliff.com  
Kampala - Shauri Moyo  
Tel: (256 414) 660 770  
shaurimoyo@dayliff.com  
**Gulu**  
Tel: (256 471) 433041  
gulu@dayliff.com  
**Mbarara**  
Tel: (256 753) 840 080  
mbarara@dayliff.com  
**Jinja**  
Tel: (256 392) 001556  
jinja@dayliff.com  
**SOUTH SUDAN**  
Juba  
Tel: (211 958) 397 070  
juba@dayliff.com

**TANZANIA**  
Dar es Salaam - Main Office  
Tel: (255 22) 21125156  
darsalasam@dayliff.com  
Dar es Salaam - Kariakoo  
Tel: 2184867  
kariakoo@dayliff.com  
Arusha  
Tel: (255 27) 25473178  
arusha@dayliff.com  
**Zanzibar**  
Tel: (255 24) 22346601  
zanzibar@dayliff.com  
**Mwanza**  
Tel: (255 28) 25419712  
mwanza@dayliff.com  
**Dodoma**  
Tel: (255) 753 506 505  
dodoma@dayliff.com

**ZAMBIA**  
Lusaka - Main Office  
Tel: (260 21) 2881011  
lusaka@dayliff.com  
Lusaka - ChaChaCha  
Tel: (260 21) 842350  
**Ndola**  
Tel: (260 212) 6109367  
ndola@dayliff.com  
**Kitwe**  
Tel: (260 212) 22174767  
kitwe@dayliff.com  
**Livingstone**  
Tel: (260 213) 320002/234  
livingstone@dayliff.com  
**Solwezi**  
Tel: (260 218) 821822  
solwezi@dayliff.com

**RWANDA**  
Kigali  
Tel: (250) 252 504039  
kigali@dayliff.com  
**Rubavu**  
Tel: (250) 814 911999  
rubavu@dayliff.com  
**ETHIOPIA (Associate)**  
Addis Ababa  
Tel: (251 11) 815934164  
ethiopia@dayliff.com  
**DR Congo**  
Lubumbashi  
Tel: (243) 978 115412/ 852 75853  
drcongo@dayliff.com



www.davisondshirliff.com



Davis & Shirliff



@dayliff