

# GRUNDFOS®

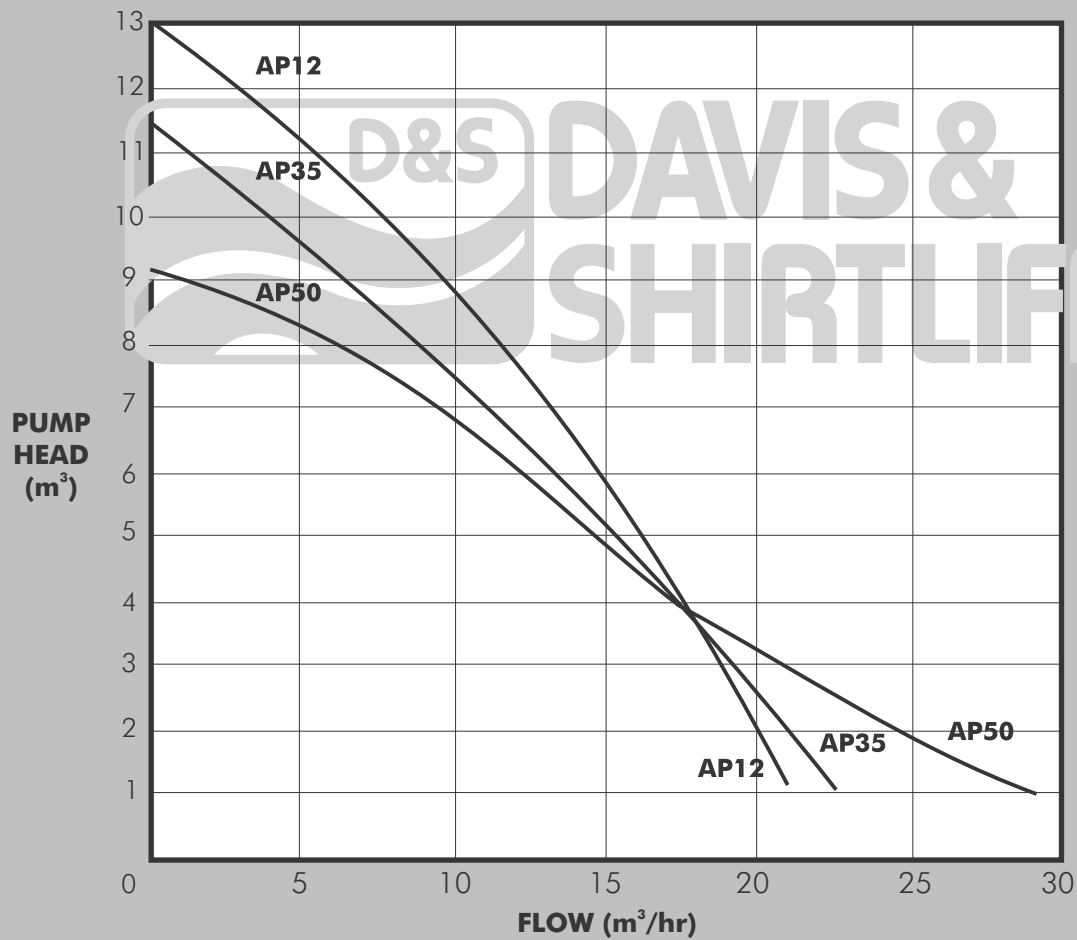
MADE IN DENMARK



## DATA SHEET

Submersible  
Waste Water Pumps

## AP



## PUMP

The Grundfos AP submersible waste water pump range are purpose designed for the transfer and drainage of heavily polluted liquids. Typical applications include sump or septic tank drainage, groundwater removal, site de-watering and industrial effluent transfer and all pumps are suitable for both permanent and portable installations.

Three pump models are offered, each of similar capacity though with different free passage capability, pump choice being determined by the quality of the pumped water. Special features include high quality stainless steel construction throughout, vortex hydraulics for the AP35 & 50 models and careful design to minimise clogging problems. The pumps are lightweight with many innovative design features to provide reliability and powerful pumping performance.

All models are provided with level switches to automatically control pump operation and are supplied with 10m of neoprene cable as standard.

## MOTOR

Pumps are provided with an integral asynchronous motor of the canned rotor type with liquid filled rotor chamber. All motors are provided with a thermal cutout to protect against overload and can be connected directly to the mains supply through a 10 Amp fuse and the use of an earth leakage circuit breaker (ELCB) with a nominal trip current of >30mA is recommended.

**Enclosure Class:** IP68

**Insulation Class:** F

**Voltage:** 1x240V

**Speed:** 2800 rpm

## OPERATING CONDITIONS

**Pumped liquid:** Chemically non-aggressive liquids with a pH range 4-10 containing impurities up to the pump's designed free passage size.

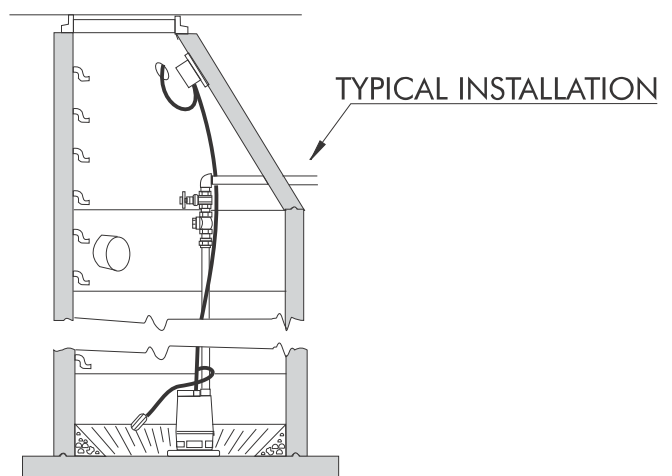
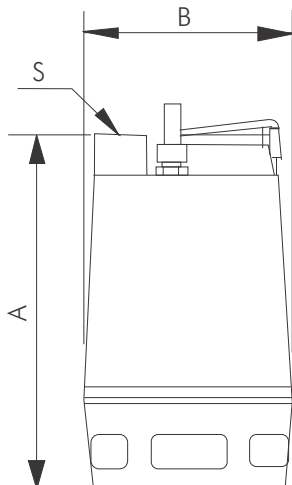
**Fluid Temperature Range:** 0°C to +55°C

**Max. Installation Depth:** 10m below water surface.

**Max. Liquid Density:** 1100kg/m<sup>3</sup>

## PUMP DATA

Model	Motor		Dimensions (mm)				Free Passage Size	Weight (kg)
	Input Power (kW)	Operating Current (A)	S	A	B			
AP12	0.9	4.4	1½"	321	216	12	12.5	
AP35	1.2	5.5	1½"	410	216	35	13.5	
AP50	1.3	5.9	2"	436	241	50	15.1	



© Davis & Shirliff 2018. Contents herein are not warranted. The right is reserved to amend specifications without notice.

GR31E-04/08

**KENYA**  
Nairobi - Head Office  
Tel: (254 20) 6988000  
headoffice@dayliff.com  
Nairobi - Westlands  
Tel: (254 20) 4460116  
westlands@dayliff.com  
Nairobi - Downtown  
Tel: (254 715 439 392  
downtown@dayliff.com  
Eastleigh  
Tel: (254 711 079 645  
eastleigh@dayliff.com  
Utuwala  
Tel: (254 780 57545  
utuwala@dayliff.com  
Nairobi - Karen  
Tel: (254 20) 3883513  
karen@dayliff.com  
Ongata Rongai  
Tel: (254 20) 2400146  
ongatarongai@dayliff.com  
Kiambu  
Tel: (254 701 646 309  
kiambu@dayliff.com

**Thika**  
Tel: (254 67) 2220084  
thika@dayliff.com  
**Kiunga**  
Tel: (254 43) 3123094  
kiunga@dayliff.com  
**Machakos**  
Tel: (254 44) 2021668  
machakos@dayliff.com  
**Kisumu**  
Tel: (254 701 683 289  
kisumu@dayliff.com  
**Embu**  
Tel: (254 780 455 512  
embu@dayliff.com  
**Meru**  
Tel: (254 64) 3151033  
meru@dayliff.com  
**Nanyuki**  
Tel: (254 42) 2030018  
nanyuki@dayliff.com  
**Garissa**  
Tel: (254 46) 2102620  
garissa@dayliff.com  
**Nakvashe**  
Tel: (254 50) 2030510  
nakvashe@dayliff.com

**Lodwar**  
Tel: (254 724) 248692  
lodwar@dayliff.com  
**Eldoret**  
Tel: (254 53) 2061306  
eldoret@dayliff.com  
**Nakuru**  
Tel: (254 51) 2213248  
nakuru@dayliff.com  
**Kakamega**  
Tel: (254 701 683 289  
kakamega@dayliff.com  
**Bungoma**  
Tel: (254 740 848 514  
bungoma@dayliff.com  
**Kisumu**  
Tel: (254 57) 2024763  
kisumu@dayliff.com  
**Kisii**  
Tel: (254 58) 2030949  
kisii@dayliff.com

**KENYA COAST**  
Mombasa - Main Office  
Tel: (254 414) 3463378  
mombasa@dayliff.com  
Mombasa - Downtown  
Tel: (254) 780 507 378  
mombasadowntown@dayliff.com  
**Malindi**  
Tel: (254 42) 2124225  
malindi@dayliff.com  
**Diani**  
Tel: (254 40) 3202181  
dianioffice@dayliff.com  
**Lamu**  
Tel: (254 20) 265105256  
lamu@dayliff.com  
**Nyali**  
Tel: (254 20) 2443357  
nyali@dayliff.com  
**Voi**  
Tel: (254 20) 2028284  
voi@dayliff.com  
**Mtwapa**  
Tel: (254) 798 478 113  
mtwapa@dayliff.com

**UGANDA**  
Kampala - Main Office  
Tel: (256 414) 3463378  
kampala@dayliff.com  
Kampala - Nakasero  
Tel: (256 392) 734653  
nakasero@dayliff.com  
Kampala - Shauri Yako  
Tel: (256 414) 660 770  
shauriyako@dayliff.com  
**Gulu**  
Tel: (256 471) 433041  
gulu@dayliff.com  
**Mbarara**  
Tel: (256 783) 940 080  
mbarara@dayliff.com  
**Jinja**  
Tel: (256 392) 001556  
jinja@dayliff.com  
**SOUTH SUDAN**  
Tel: (211 936) 137 070  
juba@dayliff.com

**TANZANIA**  
Dar es Salaam - Main Office  
Tel: (255 22) 21125156  
darsalasam@dayliff.com  
Dar es Salaam - Kariakoo  
Tel: 2184867  
kariakoo@dayliff.com  
**Arusha**  
Tel: (255 27) 25473178  
arusha@dayliff.com  
**Zanzibar**  
Tel: (255 24) 22346601  
zanzibar@dayliff.com  
**Mwanza**  
Tel: (255 28) 25419712  
dasmwanza@dayliff.com  
**Dodoma**  
Tel: (255) 753 506 503  
dodoma@dayliff.com

**ZAMBIA**  
Lusaka - Main Office  
Tel: (260 21) 2880101  
lusaka@dayliff.com  
Lusaka - ChaChaCha  
Tel: (260 21) 842350  
**Ndola**  
Tel: (260 212) 6109367  
ndola@dayliff.com  
**Kitwe**  
Tel: (260 212) 22174767  
kitwe@dayliff.com  
**Livingstone**  
Tel: (260 213) 320002234  
livingstone@dayliff.com  
**Solwezi**  
Tel: (260 218) 821022  
solwezi@dayliff.com

**RWANDA**  
Kigali  
Tel: (250) 252 504039  
kigali@dayliff.com  
Rubavu  
Tel: (243) 814 911999  
rubavu@dayliff.com  
**ETHIOPIA (Associate)**  
Addis Ababa  
Tel: (251 11) 5159341144  
ethiopia@dayliff.com  
**DR Congo**  
Lubumbashi  
Tel: (243) 978 115412/852 758553  
drc@dayliff.com



www.davisandshirliff.com



Davis & Shirliff



@dayliff