



**DDC**



**DDE**



**DMX 221**

Grundfos Alldos chemical dosage pumps are high specification products designed for dosing a wide range of chemicals in general water treatment and industrial process applications. All feature precise mechanical diaphragm operation fully at maximum output, the resulting smooth action providing assured dosage accuracy and quiet operation.

All pumps feature corrosion resistant PVC for the pump bodies and dosing heads, EPDM diaphragms and ceramic valve ball. Other materials for special applications are available on request. They are also supplied with complete installation kits including foot valve with strainer, injector valve, 2m PVC suction hose and 6m PE delivery hose.

### DD Range

The DD range are state-of-the-art digital dosage pumps that incorporate a number of technology leading features. At the heart of all pumps is a powerful variable speed motor that gives highly accurate dosage at constant stroke length, dosage rate varying with stroke speed. The pumps also feature intelligent microprocessor control that provide many benefits in terms of control, dosage accuracy, protection and reliability. Other features include adjustment from 0.1-100% to the rated flow. Models are available as follows:-

**DDE** A basic pump with all the operating features but for manual control. Connections are also available for external concentrate tank level control. Pulse input enabled model available on request.

**DDC** As for DDE but with advanced control features added including a digital display control module that incorporated a number of operating features as well as the facility for variable dosage rates controlled by an analogue signal from an external probe that senses the closed water condition.

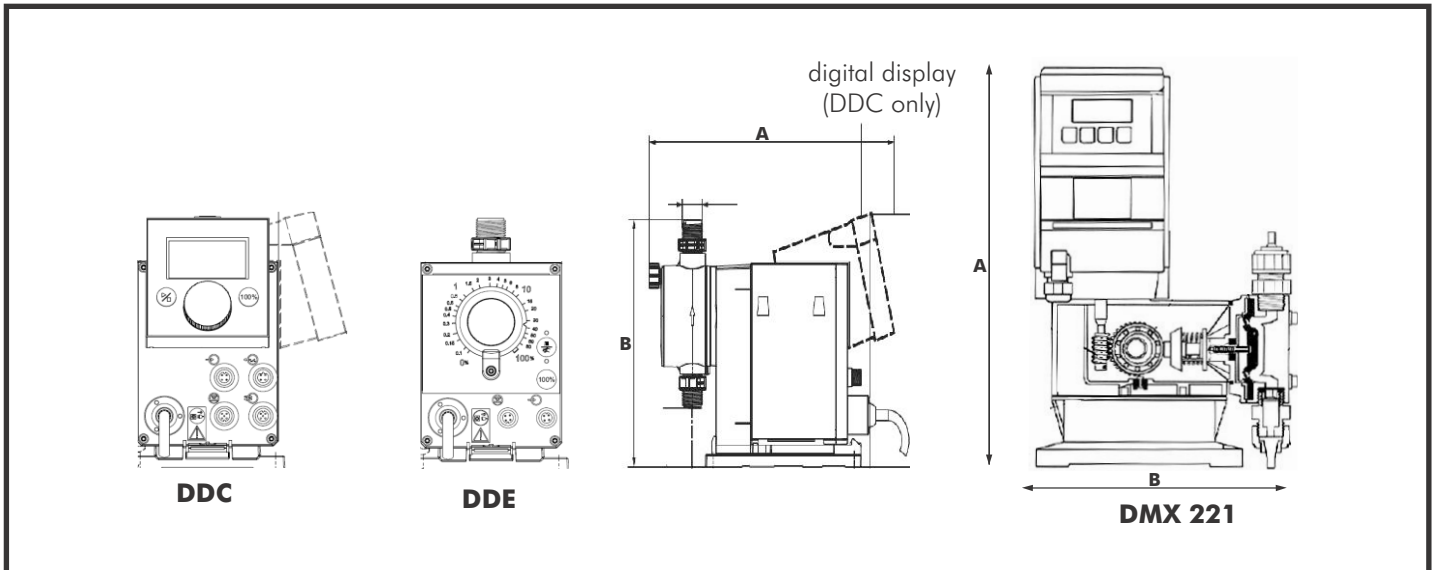
### DMX221

DMX221 models are larger capacity heavy duty high specification pumps fitted with AC motors and provided with advance gear drive to the diaphragm spindle to provide smooth, low-pulsating dosage. Simple and accurate flow adjustment by means of an external knob is provided which allows variable dosage rates from 10 to 100% of the rated flow.

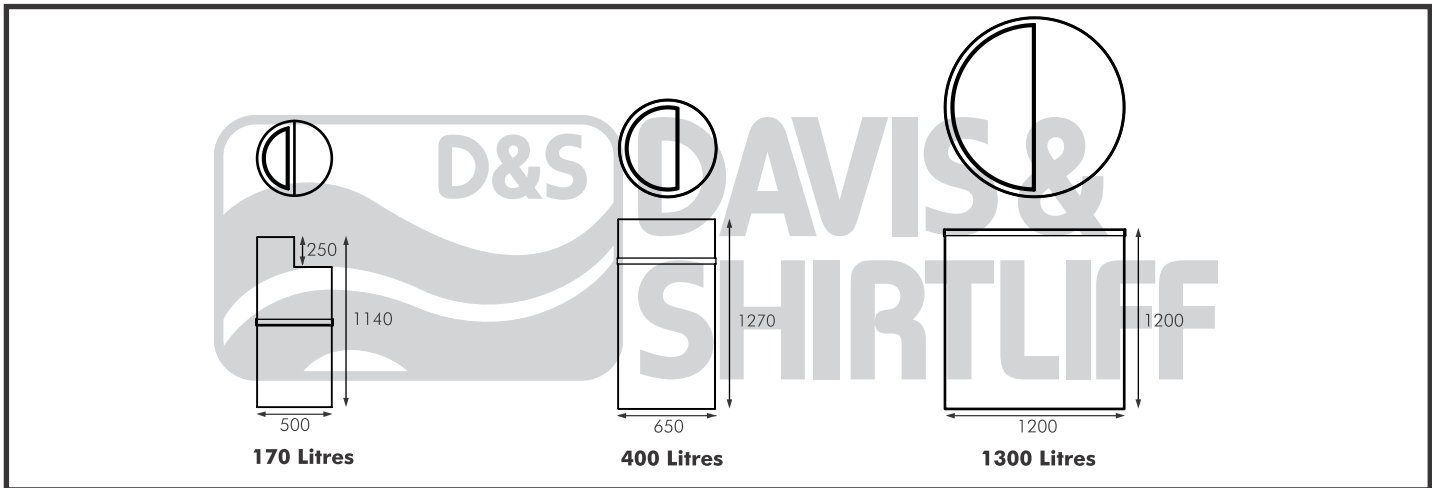
## PUMP DATA

Model	Max Flow (l/hr)	Max Pressure (Bar)	V Stroke (cc)	Motor Size (w)	Dimensions (mm)			Wgt (Kgs)
					A	B	Width	
DDE 6-10	6	10	0.81	19	280	196	120	2.4
DDC 6-10	6	10	0.81	22	280	200	120	2.4
DDE 15-4	15	4	1.58	19	280	196	120	2.4
DDC 15-4	15	4	1.58	22	280	200	120	2.4
DMX 221-50	50	10	6.9	90	319	275	175	10
DMX 221-115	115	3	16.0	90	319	330	175	11

## PUMP FEATURES AND DIMENSIONS



## CHEMICAL TANKS



© Davis & Shirliff 2018. Contents herein are not warranted. The right is reserved to amend specifications without notice.

DT99C-09/12

**KENYA**  
 Nairobi - Head Office  
 Tel: (254 20) 698000  
 headoffice@dayliff.com  
 Nairobi - Westlands  
 Tel: (254 20) 44460116  
 westlands@dayliff.com  
 Nairobi - Downtown  
 Tel: (254 20) 3340192  
 downtown@dayliff.com  
 Nairobi - Karen  
 Tel: (254 20) 3883513  
 karen@dayliff.com  
 Utawala  
 Tel: (254) 780 575745  
 utawala@dayliff.com  
 Ongata Rongai  
 Tel: (254 20) 2400146  
 ongatarongai@dayliff.com  
 Kiambu  
 Tel: (254) 701 646 309  
 kiambu@dayliff.com

**Thika**  
 Tel: (254 67) 2220084  
 thika@dayliff.com  
**Kitengela**  
 Tel: (254 45) 3123094  
 kitengela@dayliff.com  
**Machakos**  
 Tel: (254 44) 2021668  
 machakos@dayliff.com  
**Kitui**  
 Tel: (254) 701 683 289  
 kitui@dayliff.com  
**Meru**  
 Tel: (254 64) 3131033  
 meru@dayliff.com  
**Nanyuki**  
 Tel: (254 62) 2030018  
 nanyuki@dayliff.com  
**Garissa**  
 Tel: (254 46) 2102620  
 garissa@dayliff.com  
**Naivasha**  
 Tel: (254 50) 2030510  
 naivasha@dayliff.com

**Lodwar**  
 Tel: (254 724) 248692  
 lodwar@dayliff.com  
**Eldoret**  
 Tel: (254 53) 2061306  
 eldoret@dayliff.com  
**Nakuru**  
 Tel: (254 51) 2213248  
 nkroffice@dayliff.com  
**Narok**  
 Tel: (254) 701 683 289  
 narok@dayliff.com  
**Kakamega**  
 Tel: (254 56) 2031899  
 kakamega@dayliff.com  
**Kisumu**  
 Tel: (254 57) 2024763  
 ksmoffice@dayliff.com  
**Kisii**  
 Tel: (254 58) 2030949  
 kisii@dayliff.com

**KENYA COAST**  
**Mombasa - Main Office**  
 Tel: (254 20) 2040432  
 mombasa@dayliff.com  
**Mombasa - Downtown**  
 Tel: (254) 780 567 379  
 mombasadowntown@dayliff.com  
**Malindi**  
 Tel: (254 42) 2120425  
 midoffice@dayliff.com  
**Diani**  
 Tel: (254 40) 3202181  
 dianioffice@dayliff.com  
**Lamu**  
 Tel: (254 20) 2651052/56  
 lamu@dayliff.com  
**Nyali**  
 Tel: (254 20) 2443357  
 nyali@dayliff.com  
**Voi**  
 Tel: (254 20) 2028284  
 voi@dayliff.com

**UGANDA**  
**Kampala - Main Office**  
 Tel: (256 414) 346337/6  
 kampala@dayliff.com  
**Kampala - Nakasero**  
 Tel: (256 392) 734633  
 nakasero@dayliff.com  
**Kampala - Shauri Yako**  
 Tel: (256 414) 660 770  
 shauriyako@dayliff.com  
**Gulu**  
 Tel: (256 471) 433041  
 gulu@dayliff.com  
**Mbarara**  
 Tel: (256 753) 940 880  
 mbarara@dayliff.com  
**Jinja**  
 Tel: (256 392) 001556  
 jinja@dayliff.com

**TANZANIA**  
**Dar es Salaam - Main Office**  
 Tel: (255 22) 2112515/6  
 daressalaam@dayliff.com  
**Dar es Salaam - Kariakoo**  
 Tel: 2184867  
 kariakoo@dayliff.com  
**Arusha**  
 Tel: (255 27) 2547317/8  
 arusha@dayliff.com  
**Zanzibar**  
 Tel: (255 24) 2234668/1  
 zanzibar@dayliff.com  
**Mwanza**  
 Tel: (255 28) 2541971/2  
 d&smwanza@dayliff.com  
**SOUTH SUDAN**  
**Juba**  
 Tel: (211 956) 397 070  
 juba@dayliff.com

**ZAMBIA**  
**Lusaka - Main Office**  
 Tel: (260 211) 288010/1  
 lusaka@dayliff.com  
**Lusaka - ChaChaCha**  
 Tel: (260 211) 842350  
**Ndola**  
 Tel: (260 212) 610936/7  
 ndola@dayliff.com  
**Kitwe**  
 Tel: (260 212) 221747/67  
 kitwe@dayliff.com  
**Livingstone**  
 Tel: (260 213) 320002/234  
 livingstone@dayliff.com  
**Solwezi**  
 Tel: (260 218) 821822  
 solvezi@dayliff.com

**RWANDA**  
**Kigali**  
 Tel: (250) 252 504039  
 kigali@dayliff.co.rw  
**Rubavu**  
 Tel: (243) 814 911999  
 rubavu@dayliff.com  
**ETHIOPIA (Associate)**  
**Addis Ababa**  
 Tel: (251 11) 5159341/44  
 ethiopia@dayliff.com  
**DRC**  
**Lubumbashi**  
 Tel: (243) 978 115412/ 852 758553  
 drc@dayliff.com